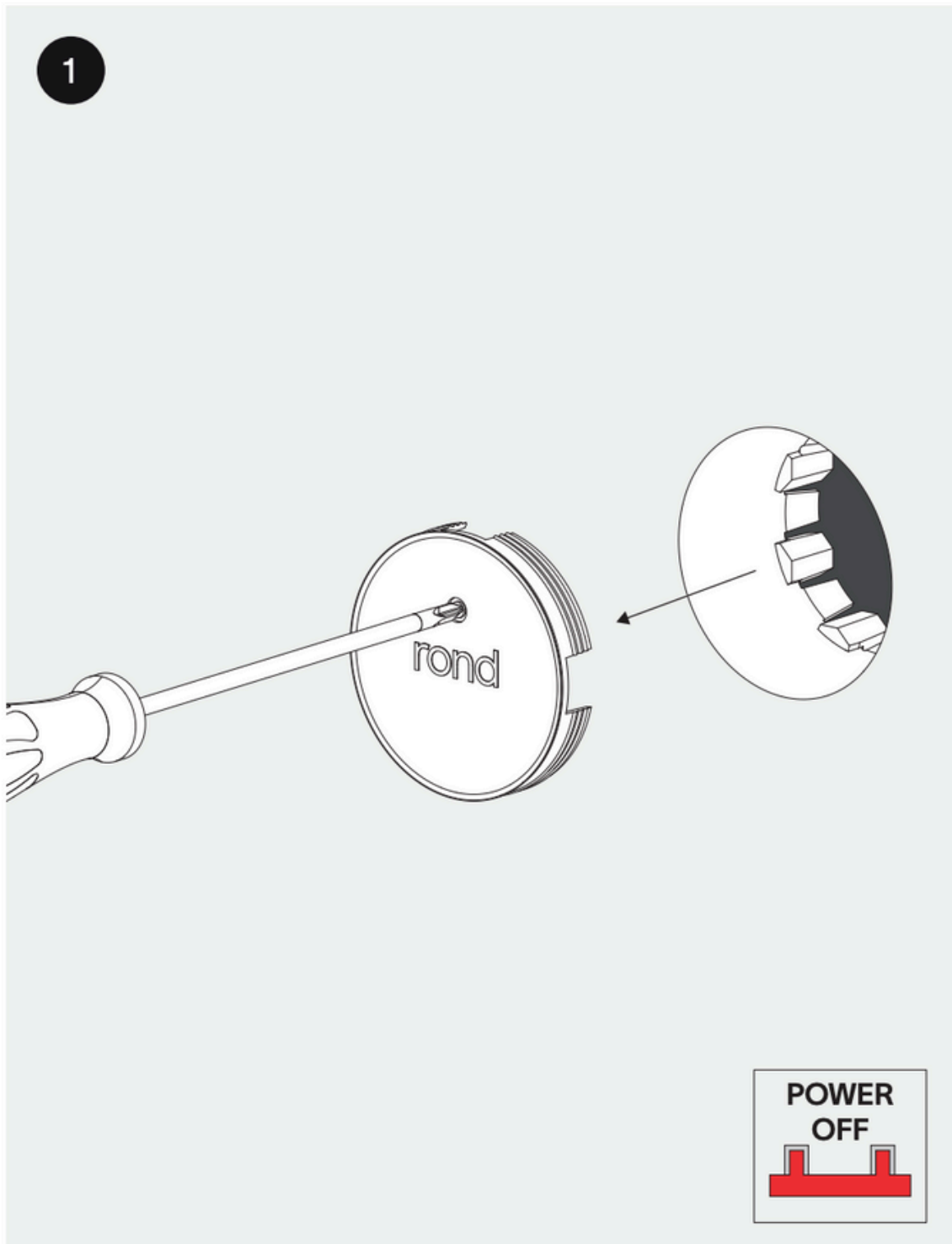
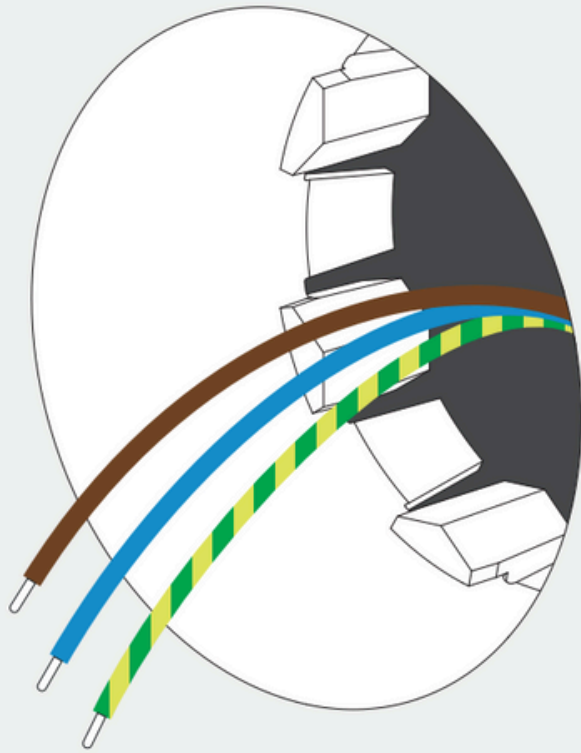


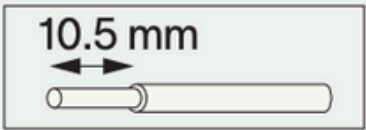
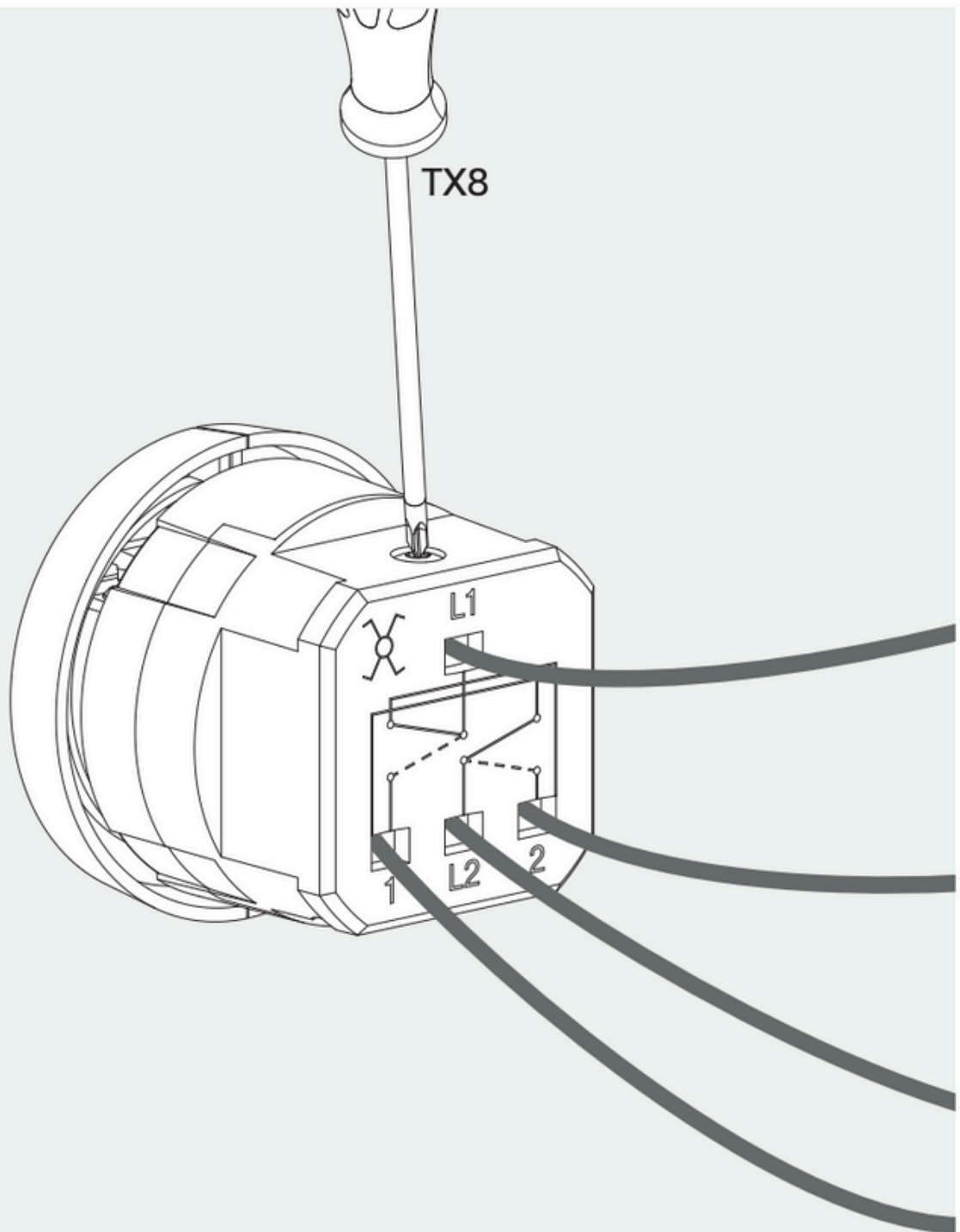
rond 2.0 switch 230V installation instruction



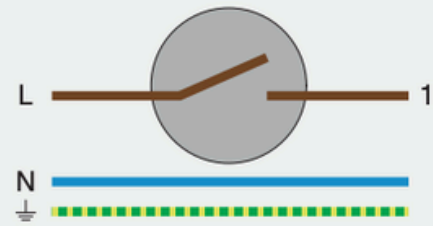
2



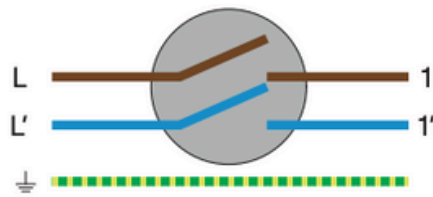
3



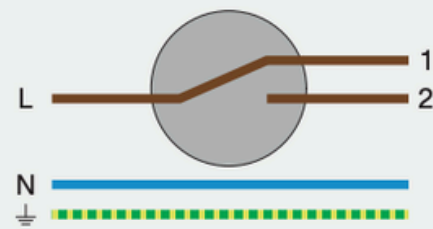
single-pole switch



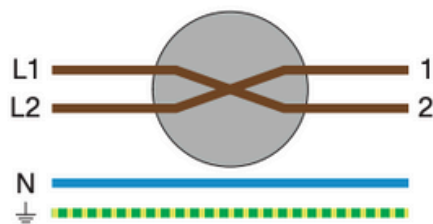
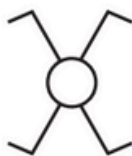
two-pole switch



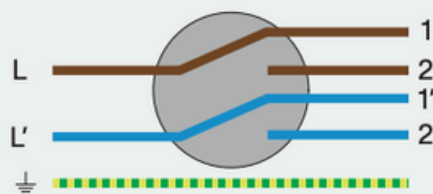
two-way switch



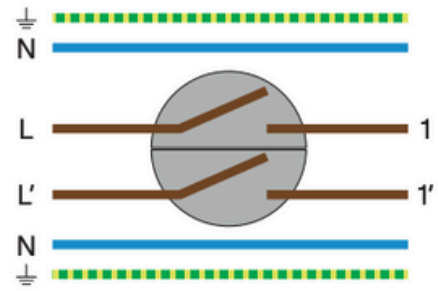
intermediate switch



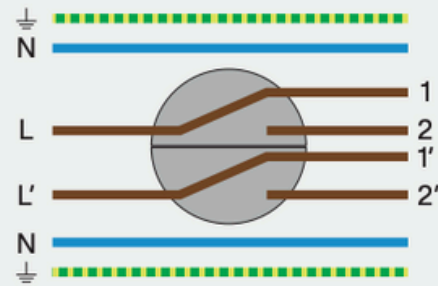
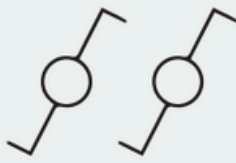
two-pole two-way switch



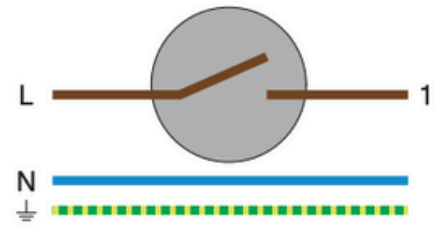
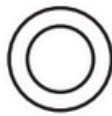
two circuit switch



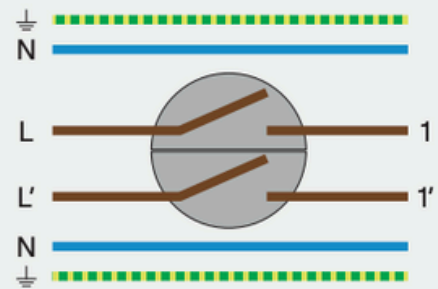
double two-way switch



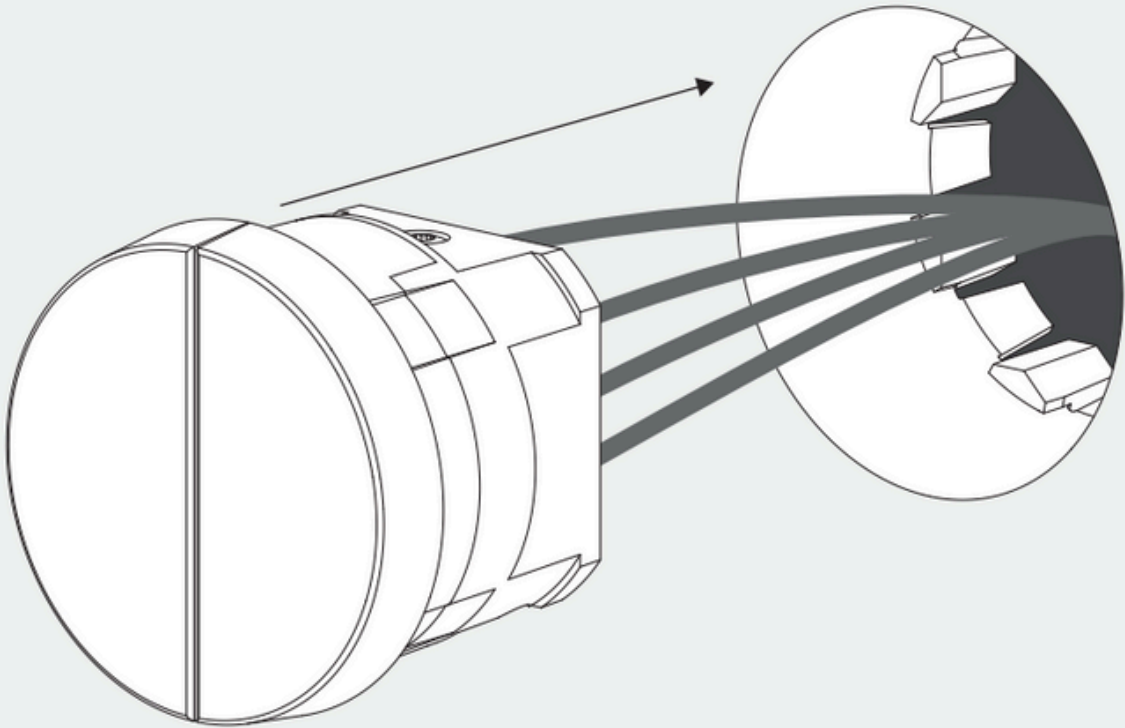
push button NO or NC



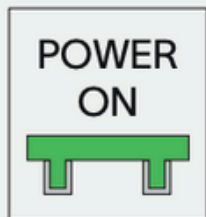
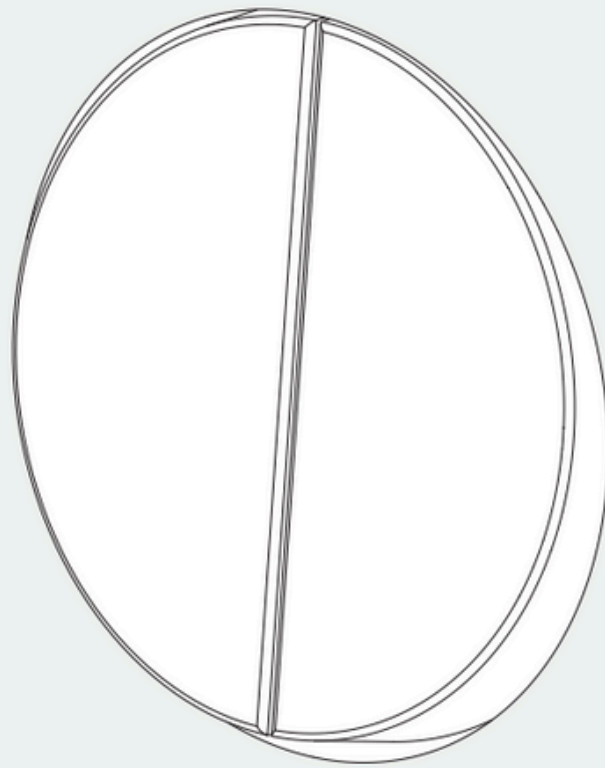
double push button NO or NC



4

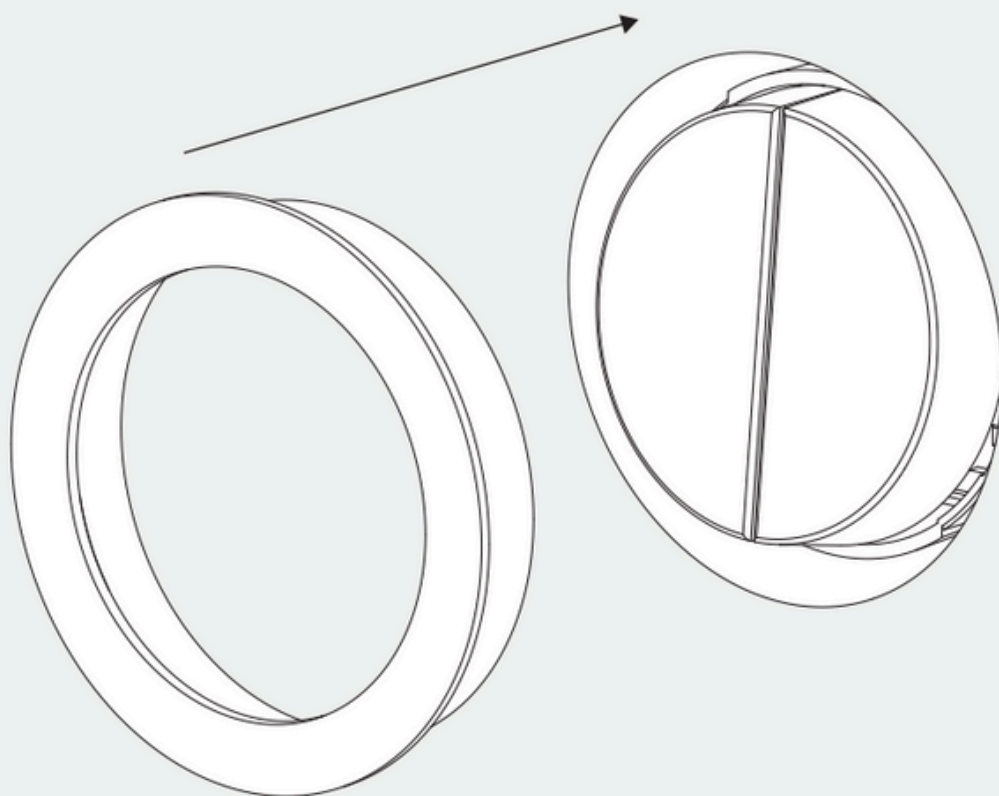


5

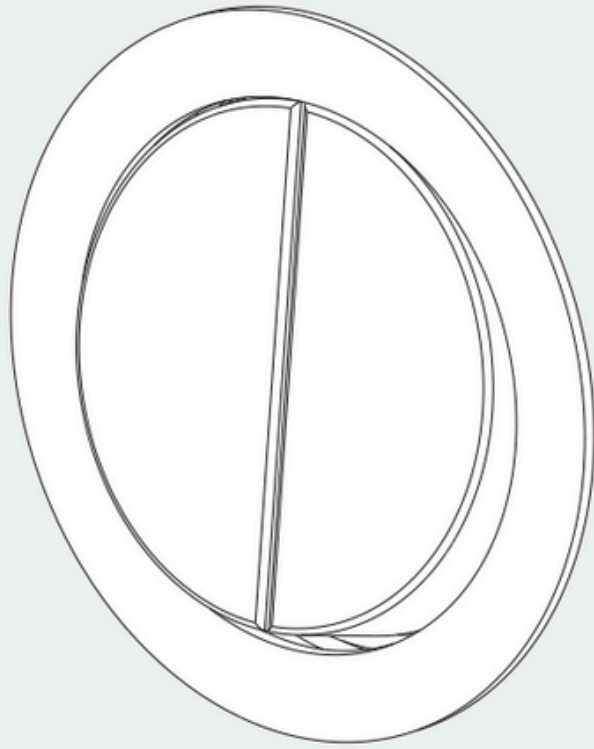


for small trim

6

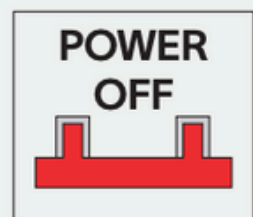
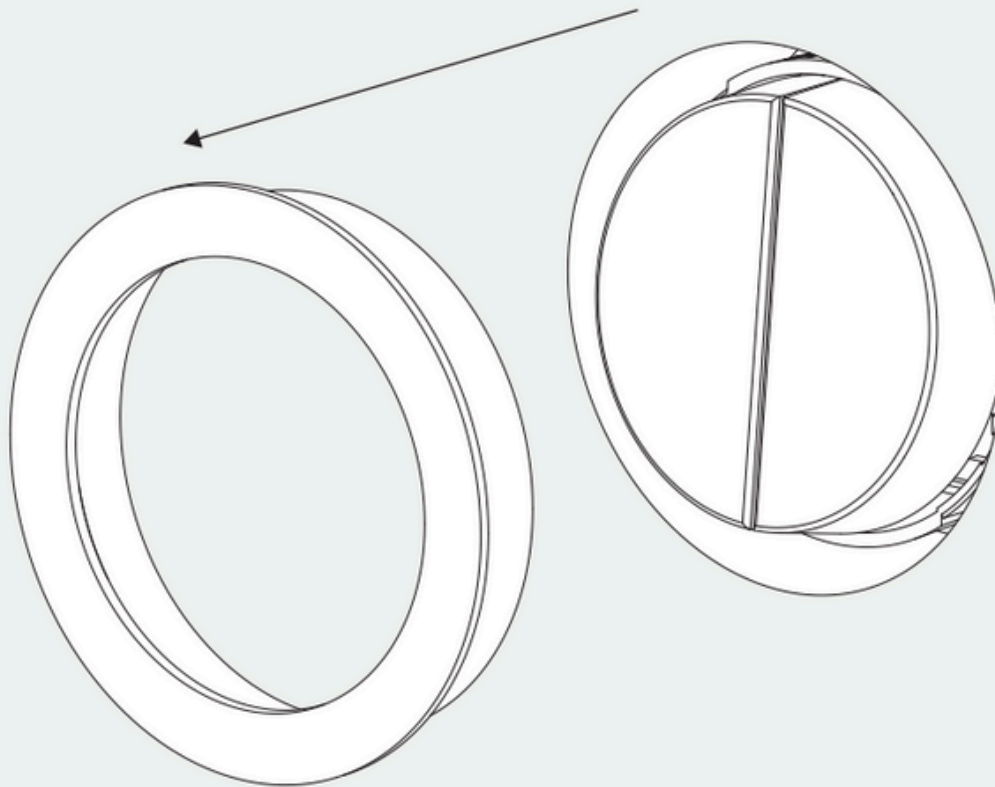


7

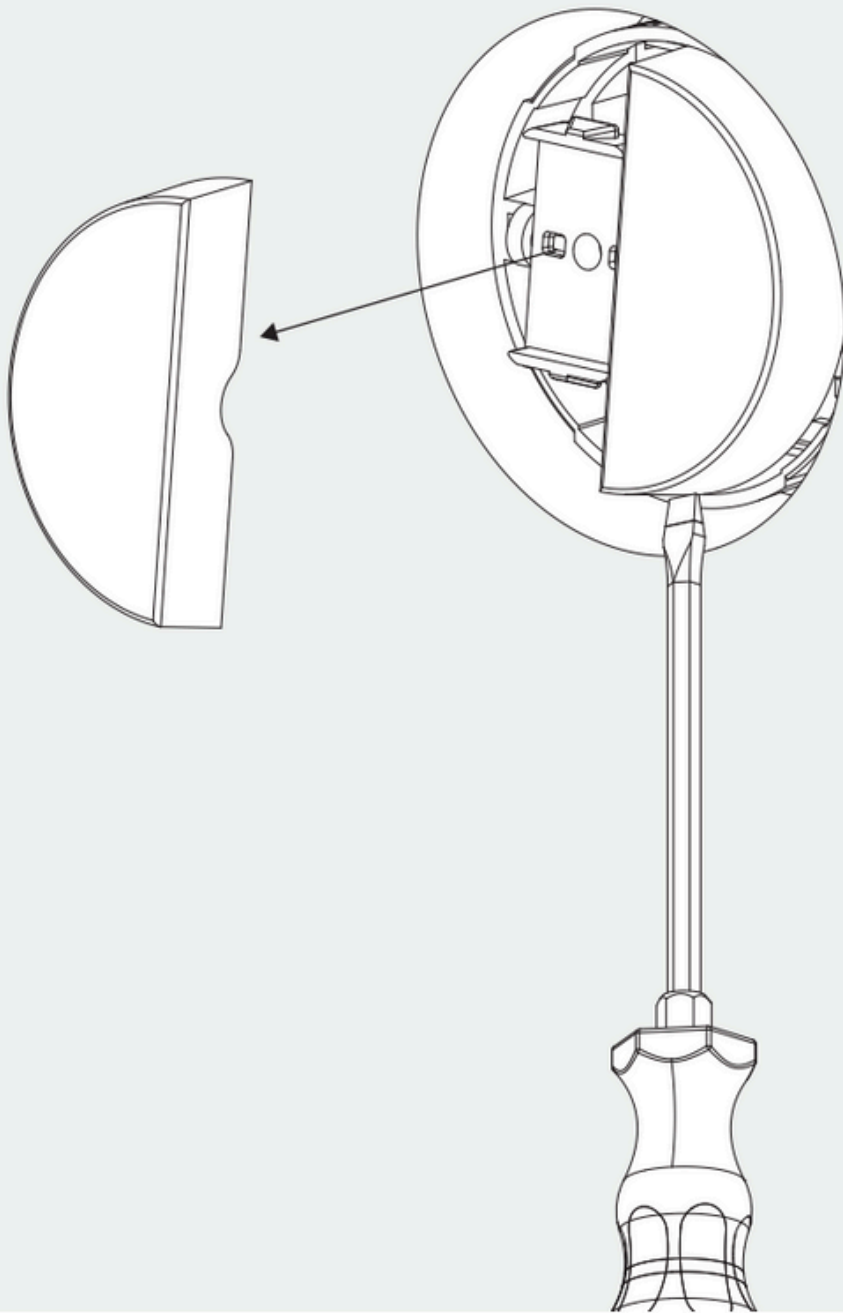


for removal

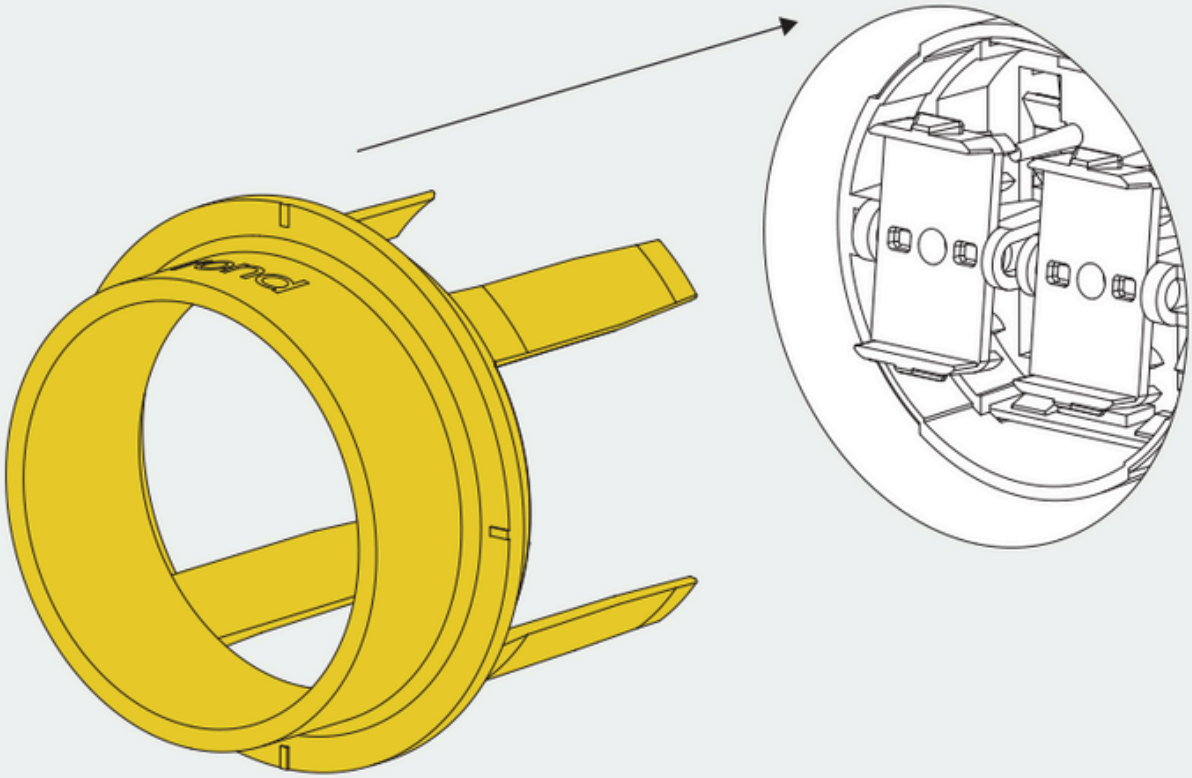
8



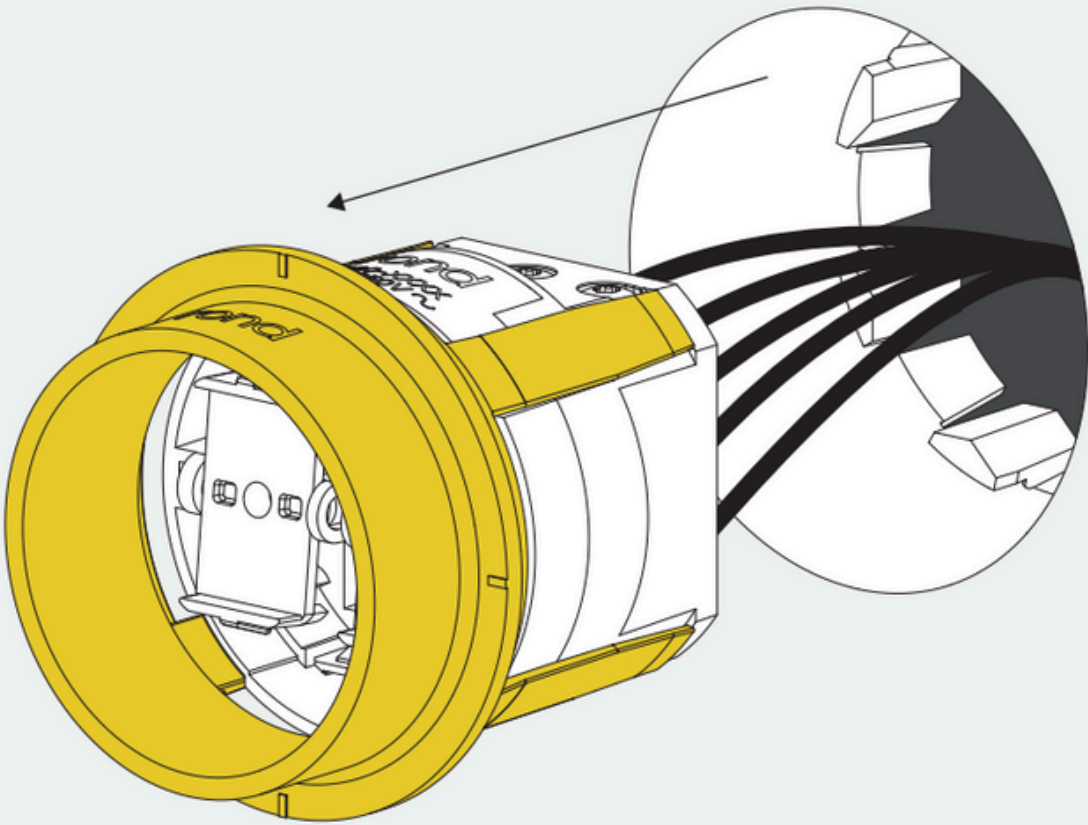
9



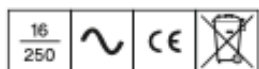
10



11



thank you for choosing rond



rond

×



Installation must be done by skilled professionals only and instructions must be followed at all times. Warranty will not apply in case of wrongful use of if unskilled personnel attempts to repair a product.