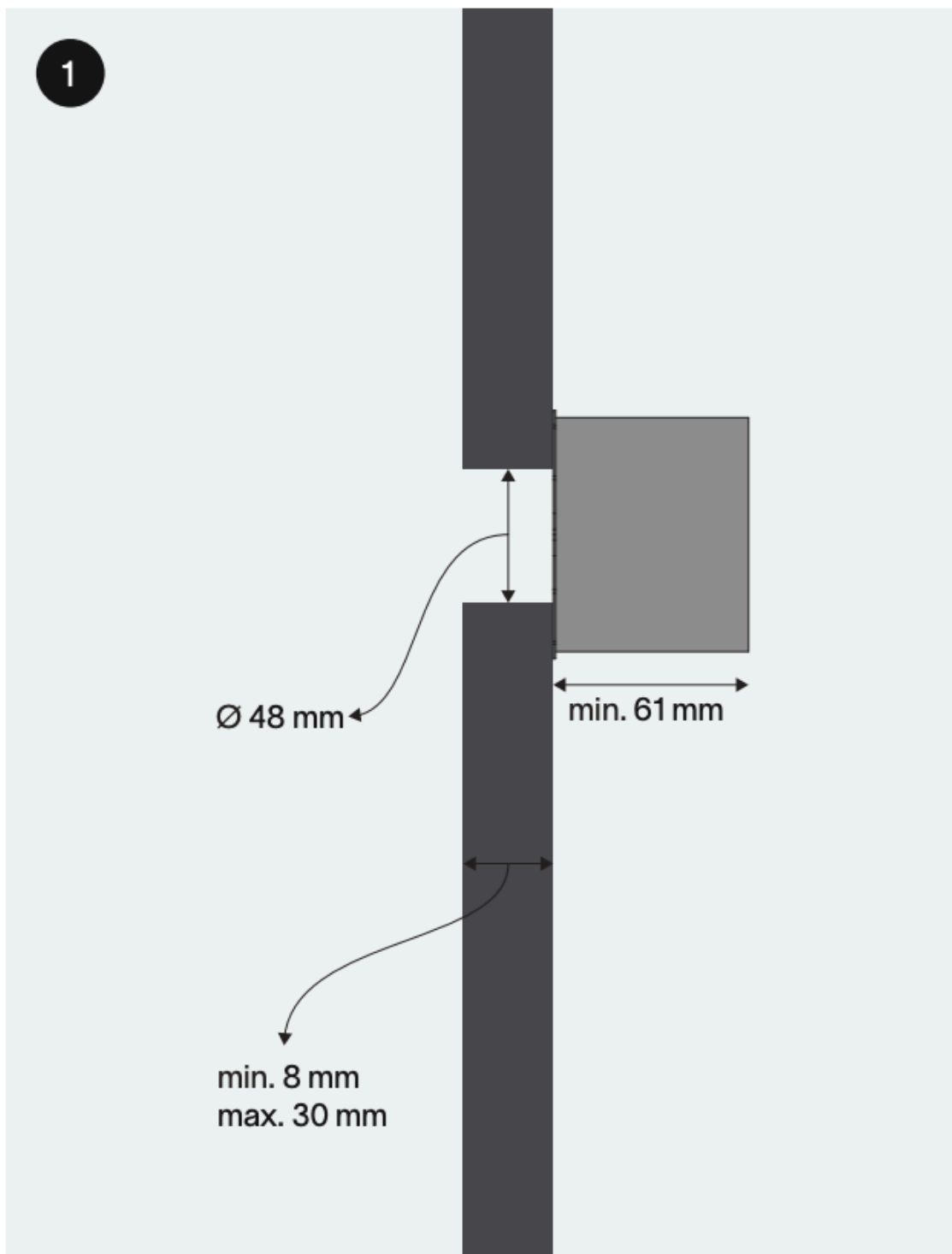


rond

×

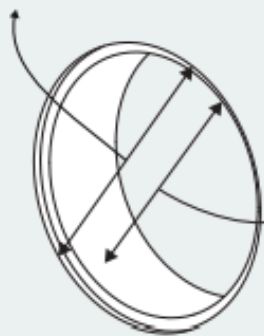


multifit holder/socket installation instruction



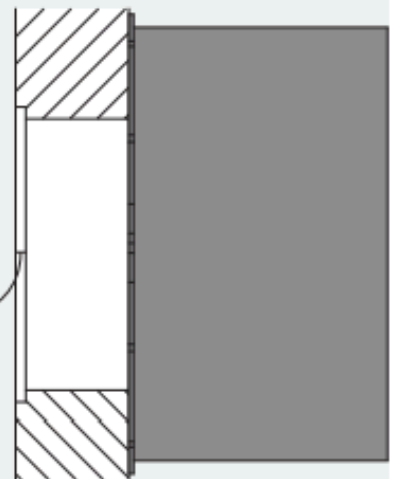
optional flush mount countersink

Ø 52,5 mm

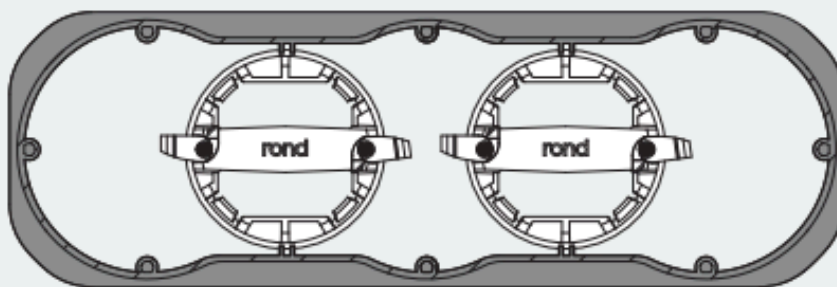
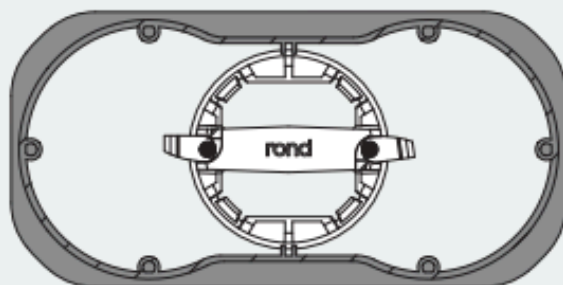


Ø 48 mm

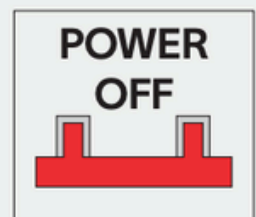
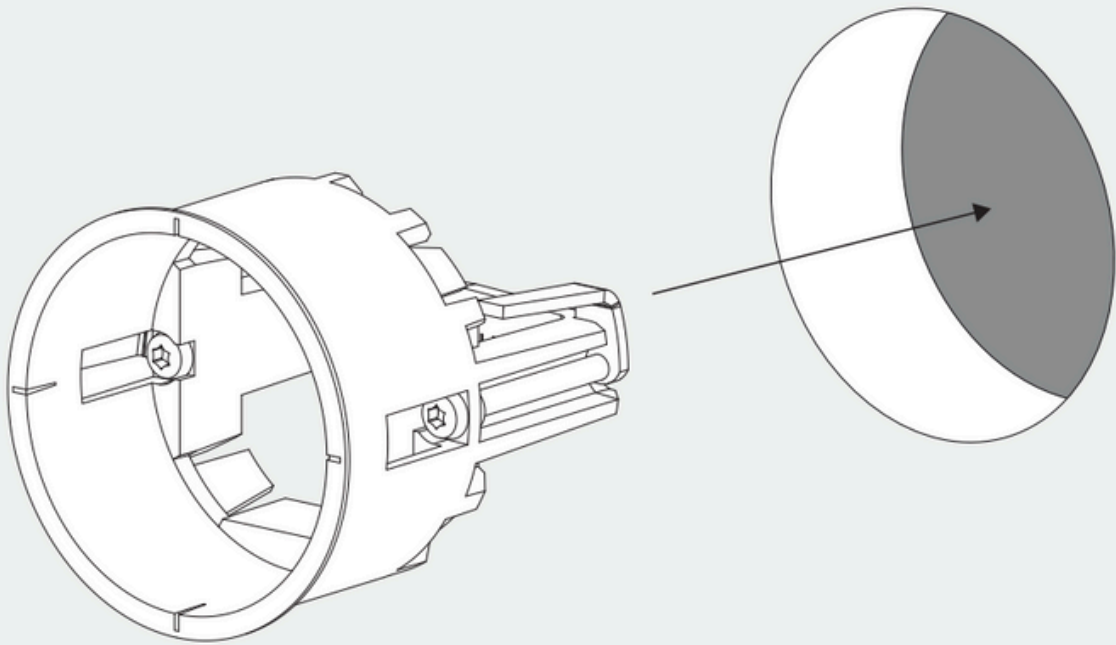
2 mm



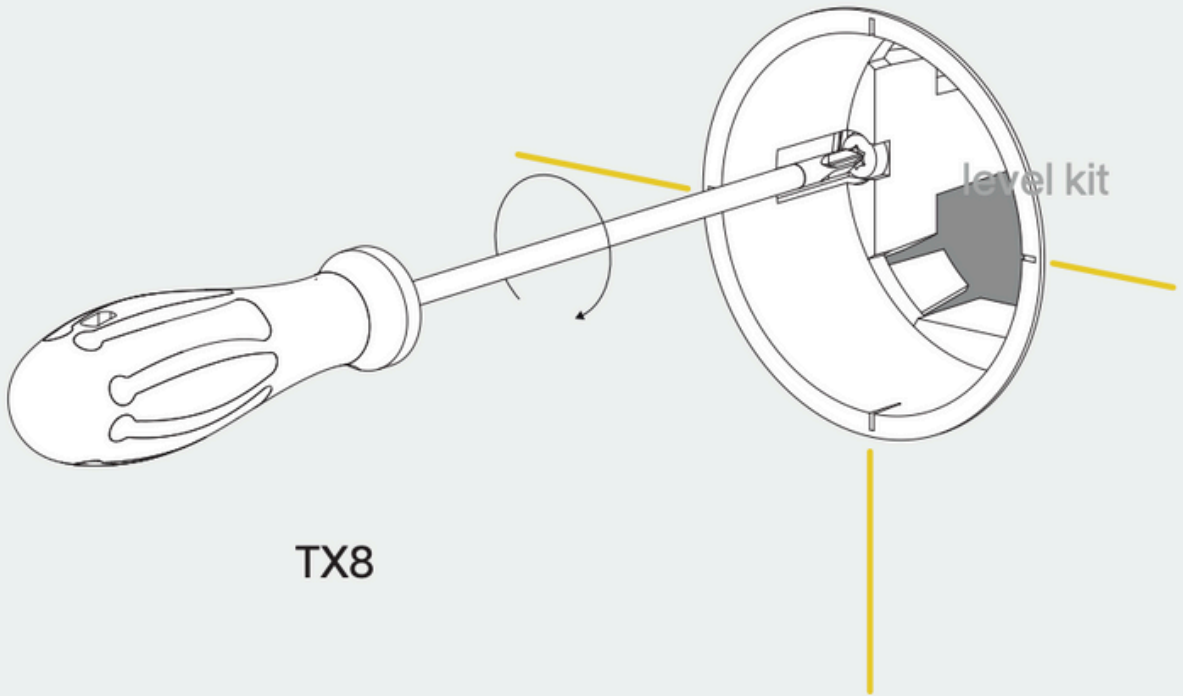
single socket: double flush mount box
double socket: triple flush mount box



2



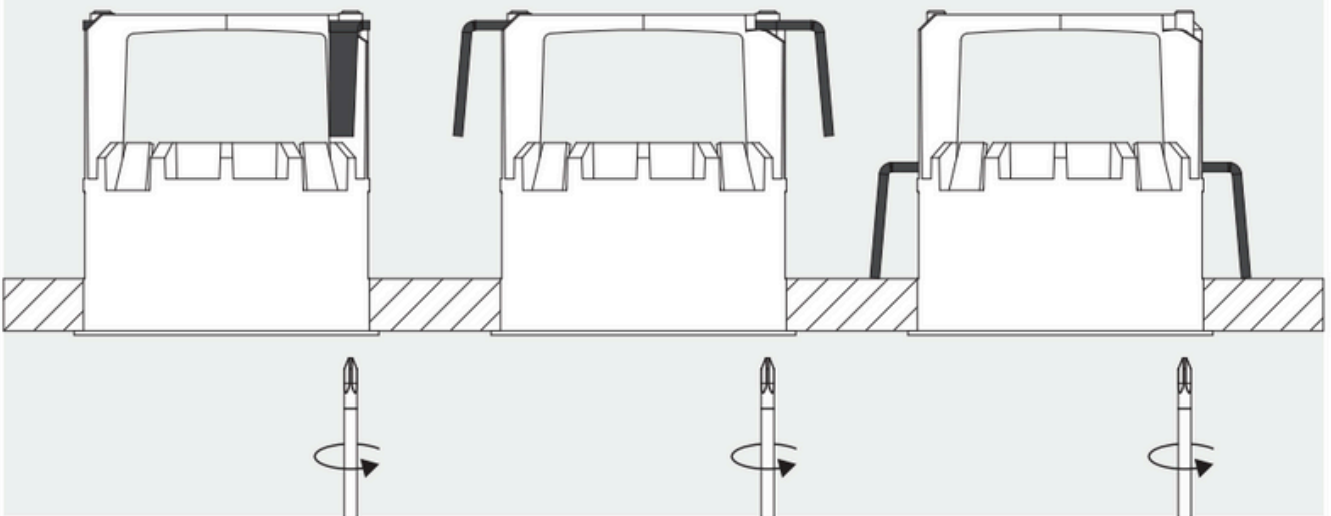
3



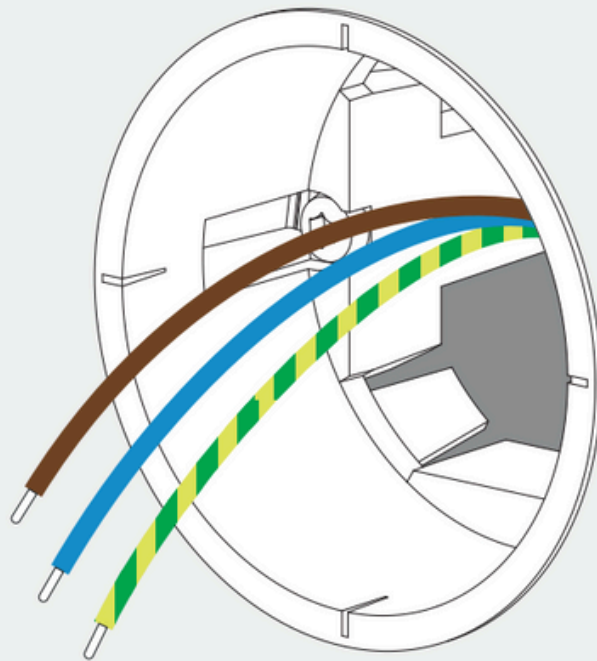
1

2

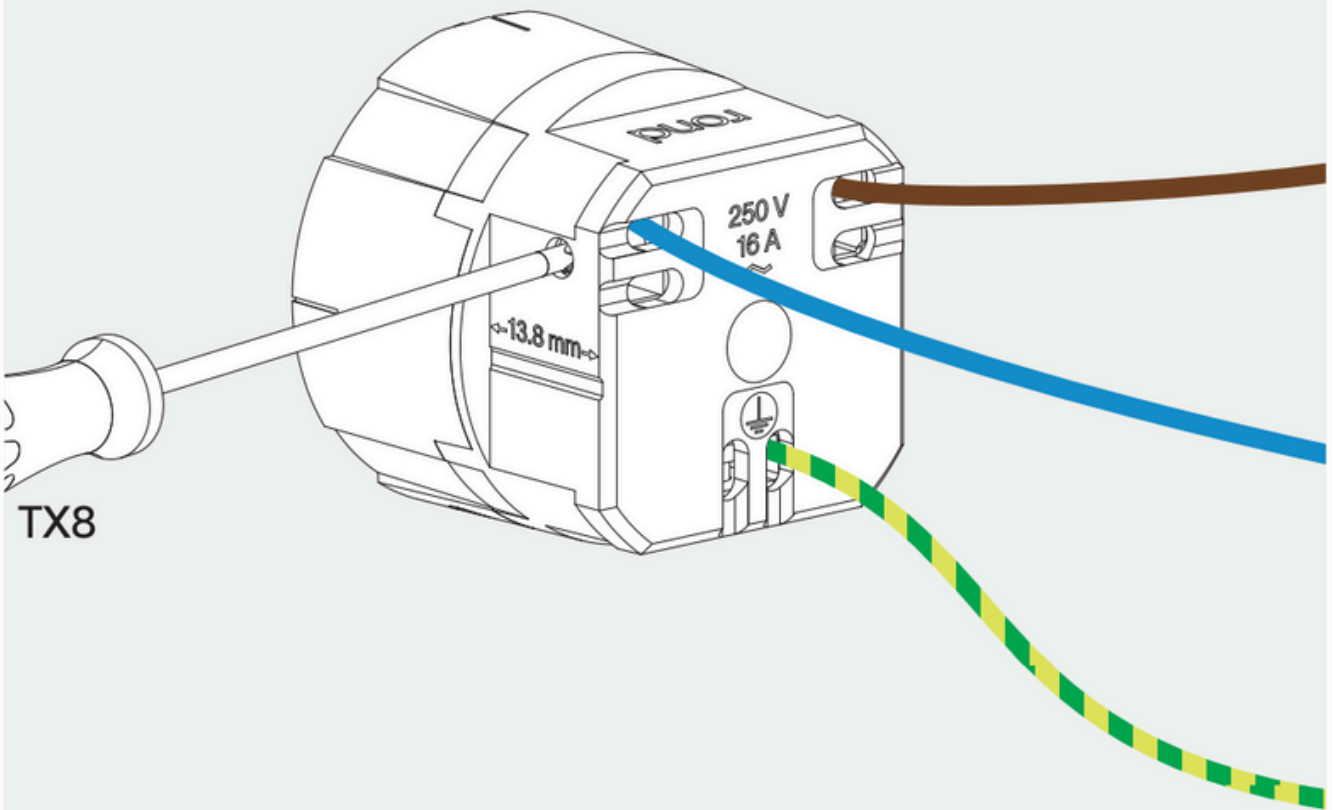
3



4



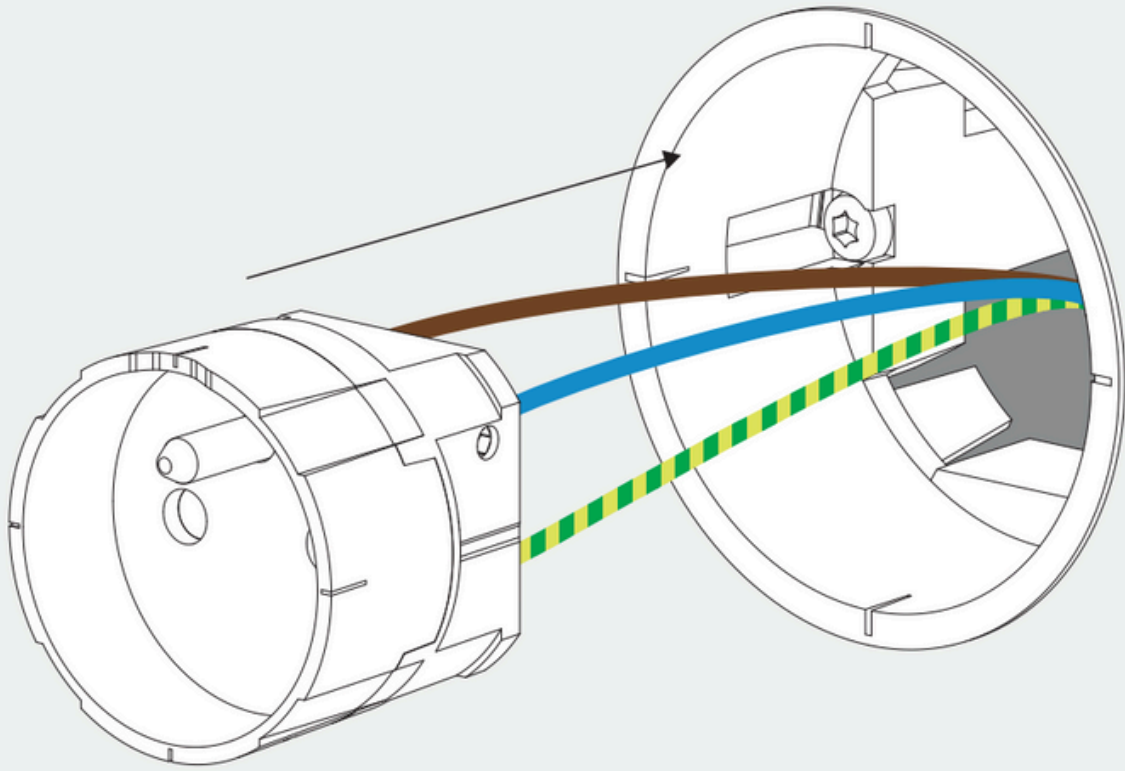
5



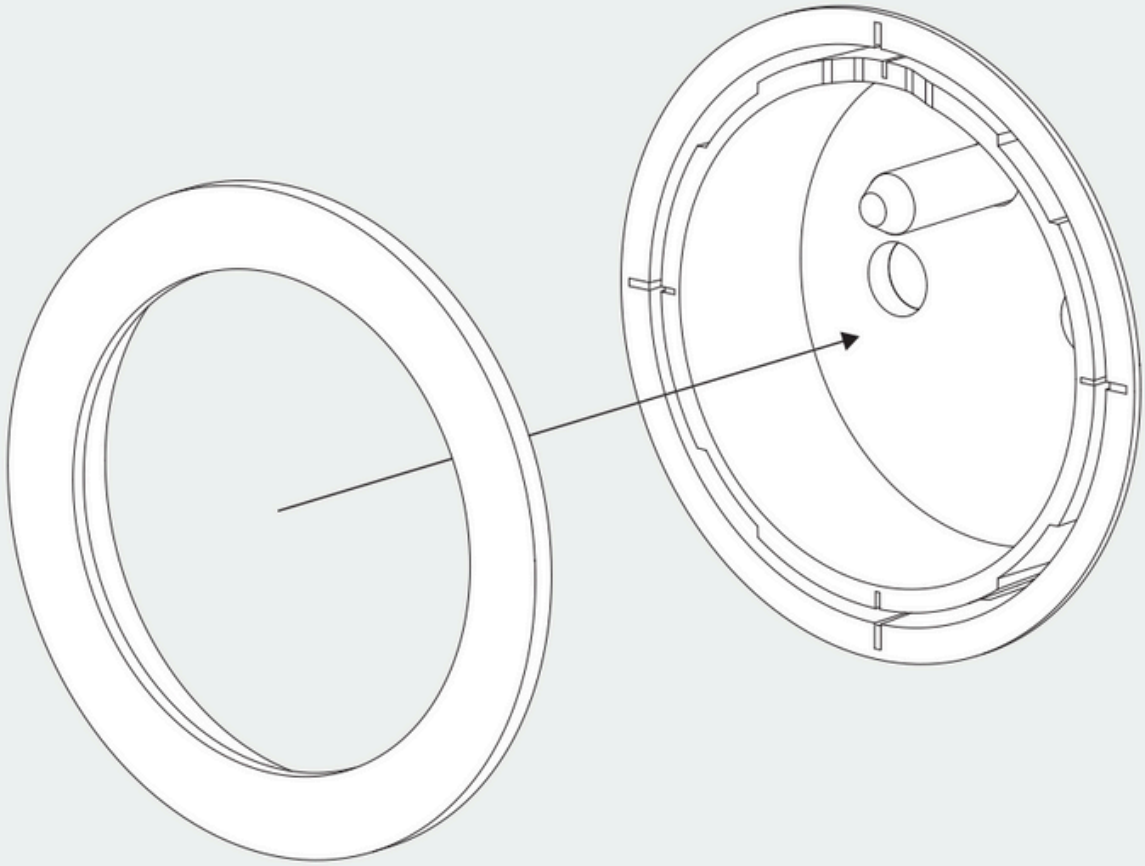
TX8



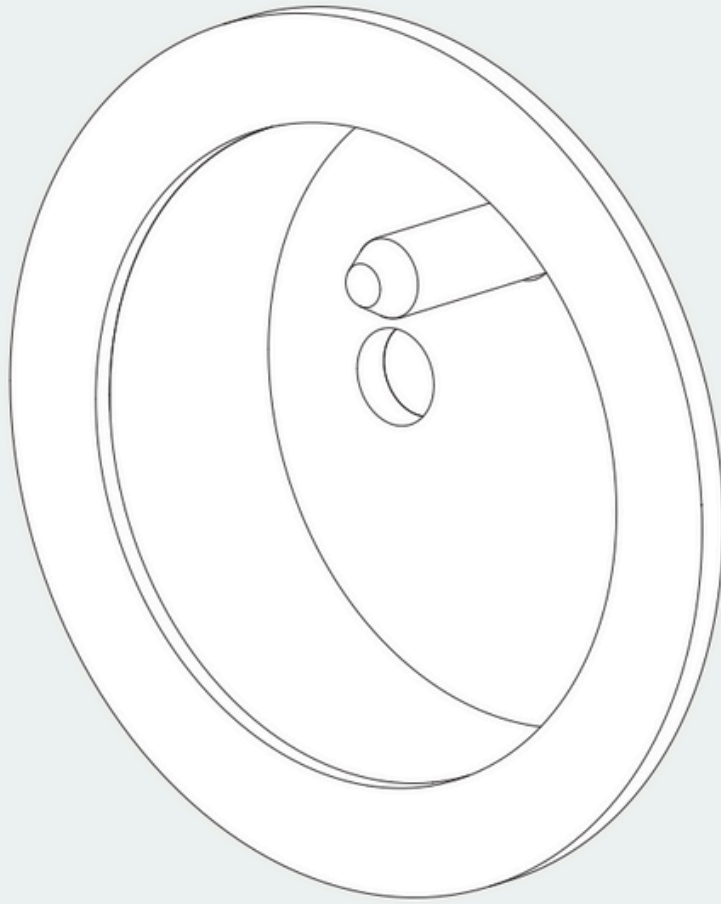
6



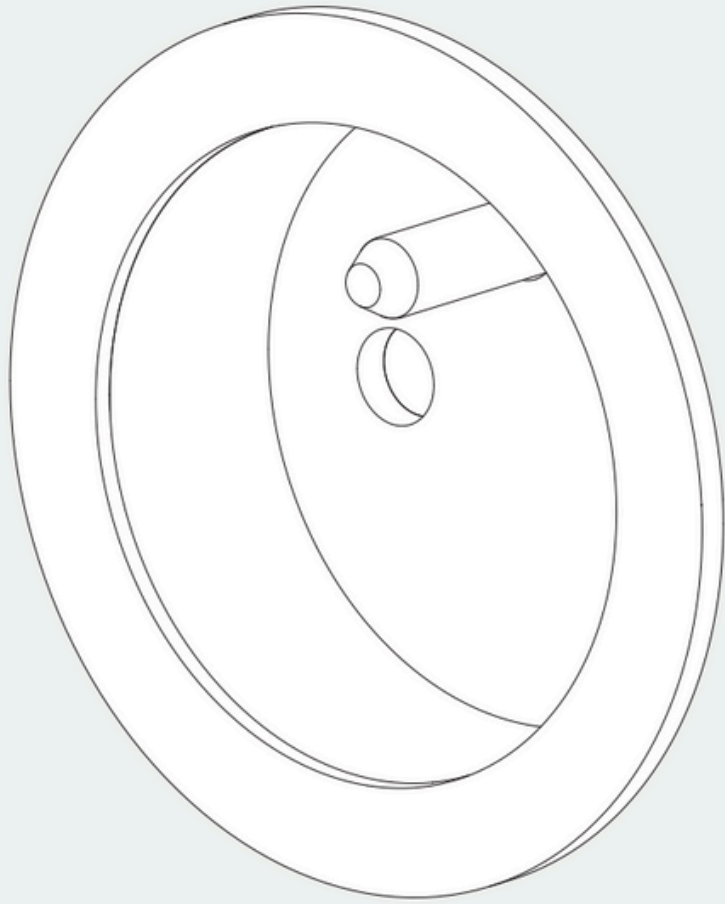
7



8

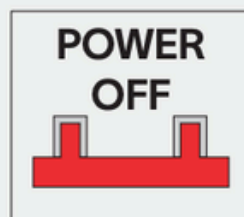
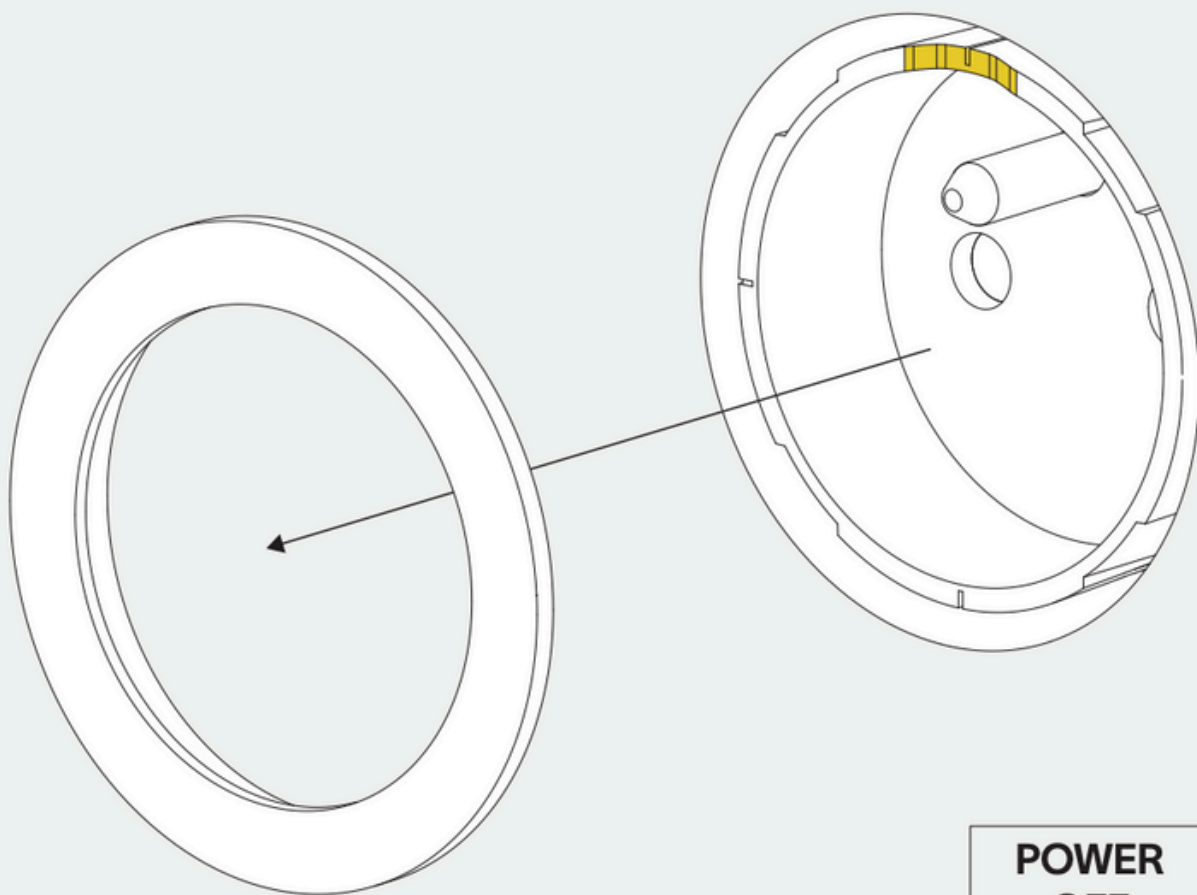
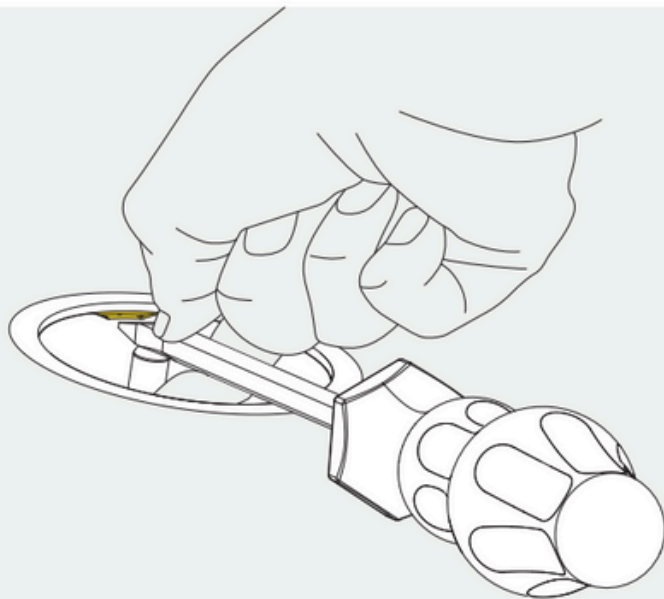


8

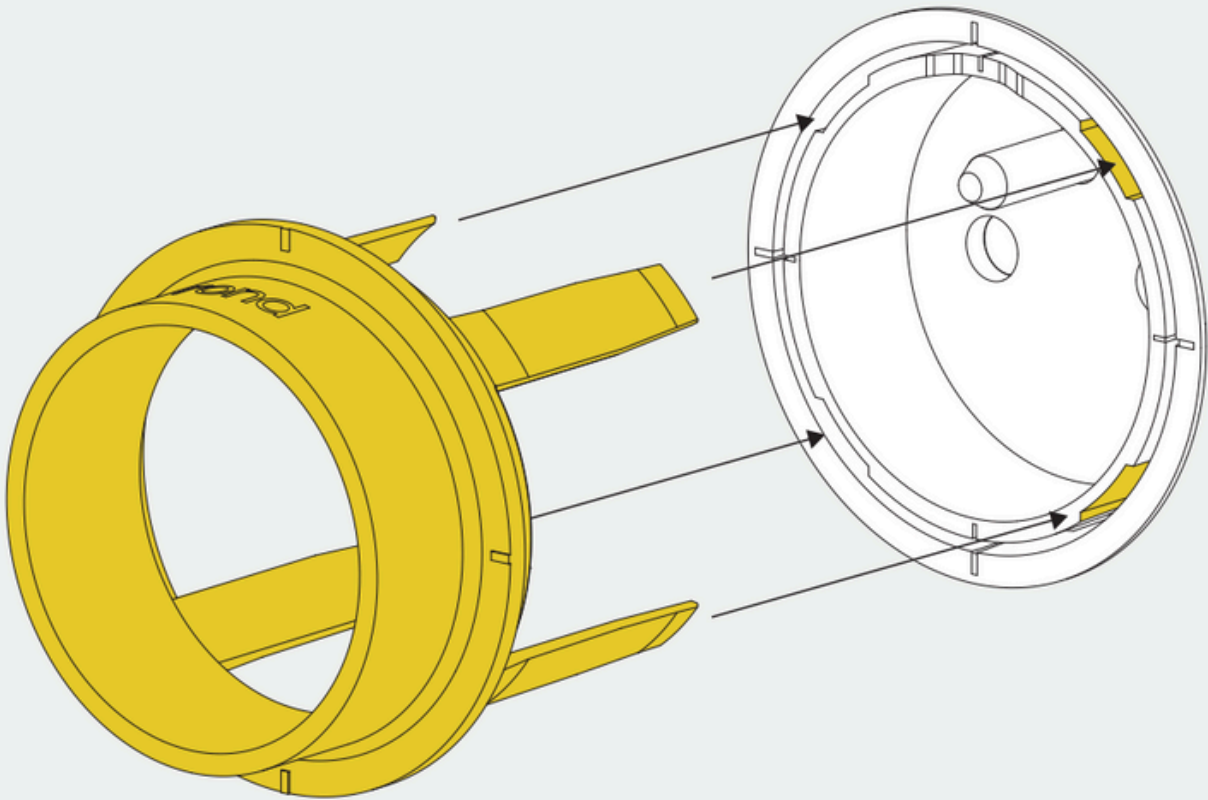


for removal

1

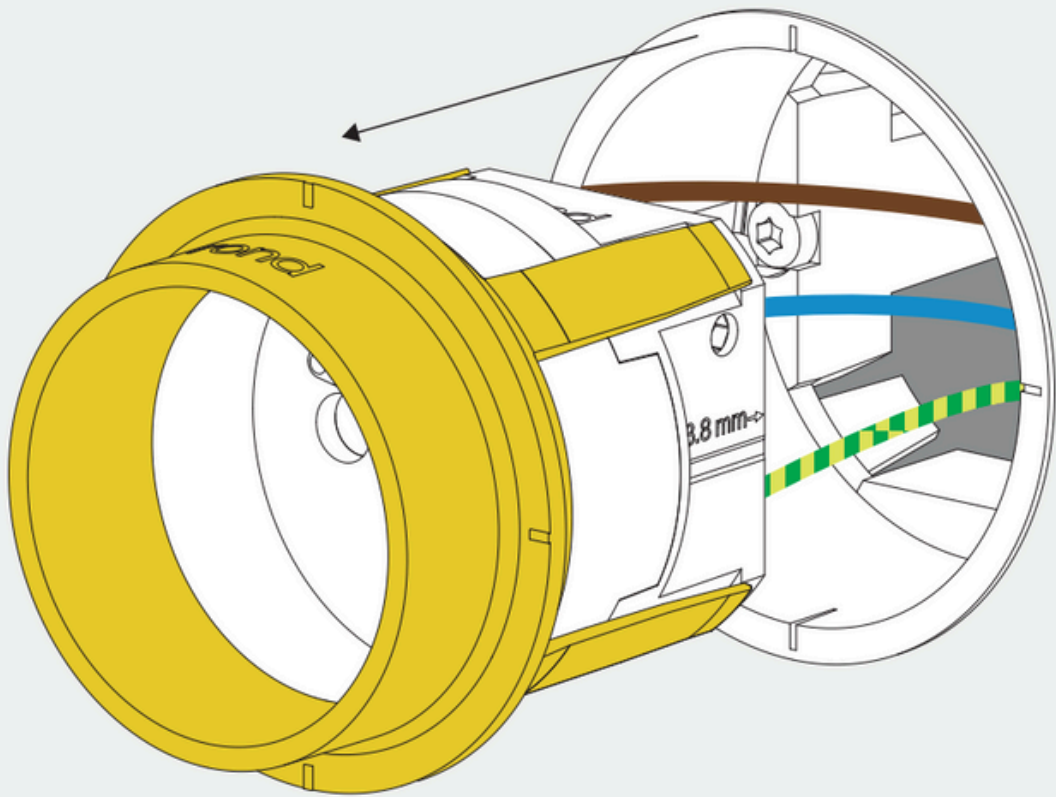


2

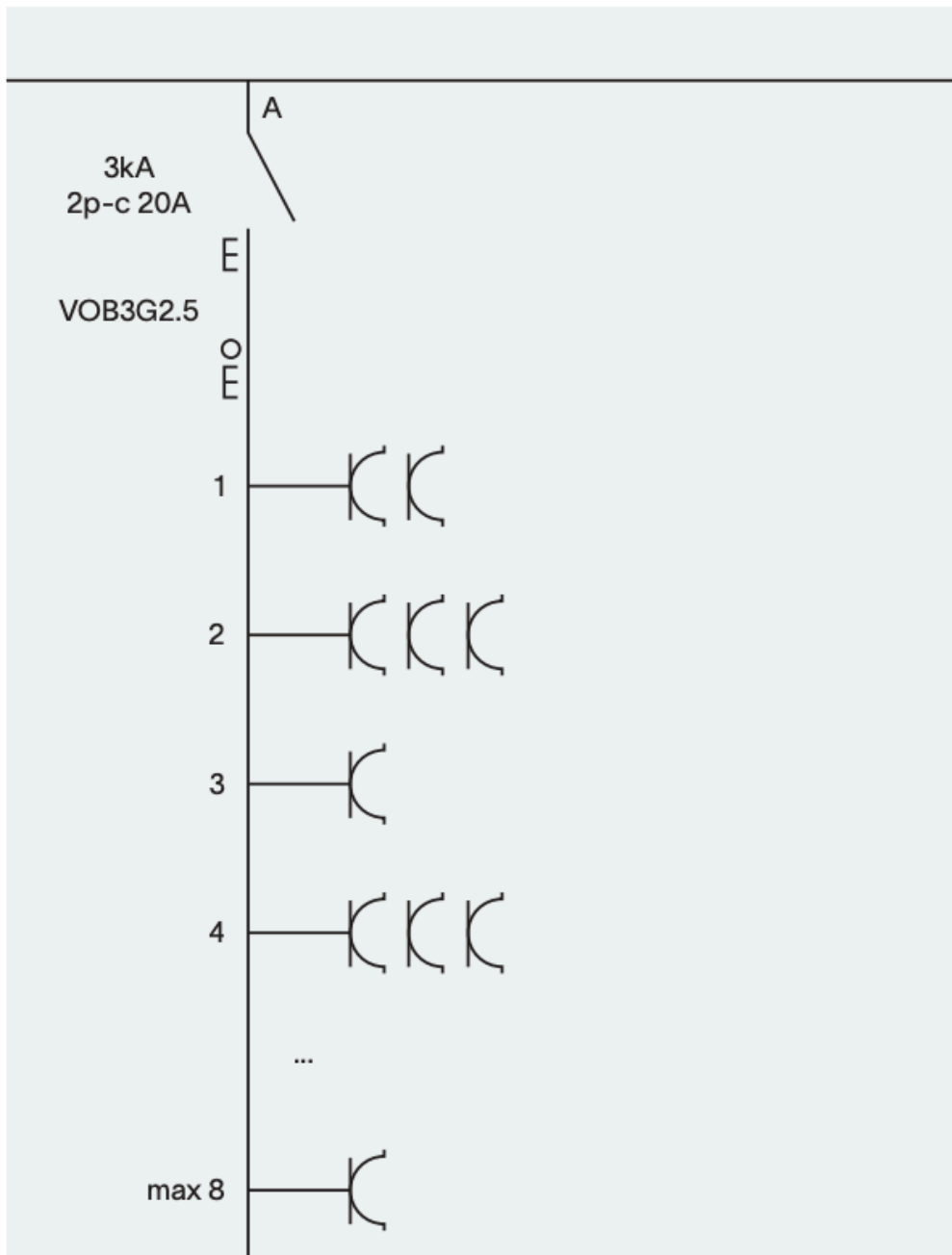


removal tool
8800-2010

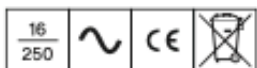
3



socket model scheme



thank you for choosing rond



rond

×



Installation must be done by skilled professionals only and instructions must be followed at all times. Warranty will not apply in case of wrongful use of unskilled personnel attempts to repair a product.