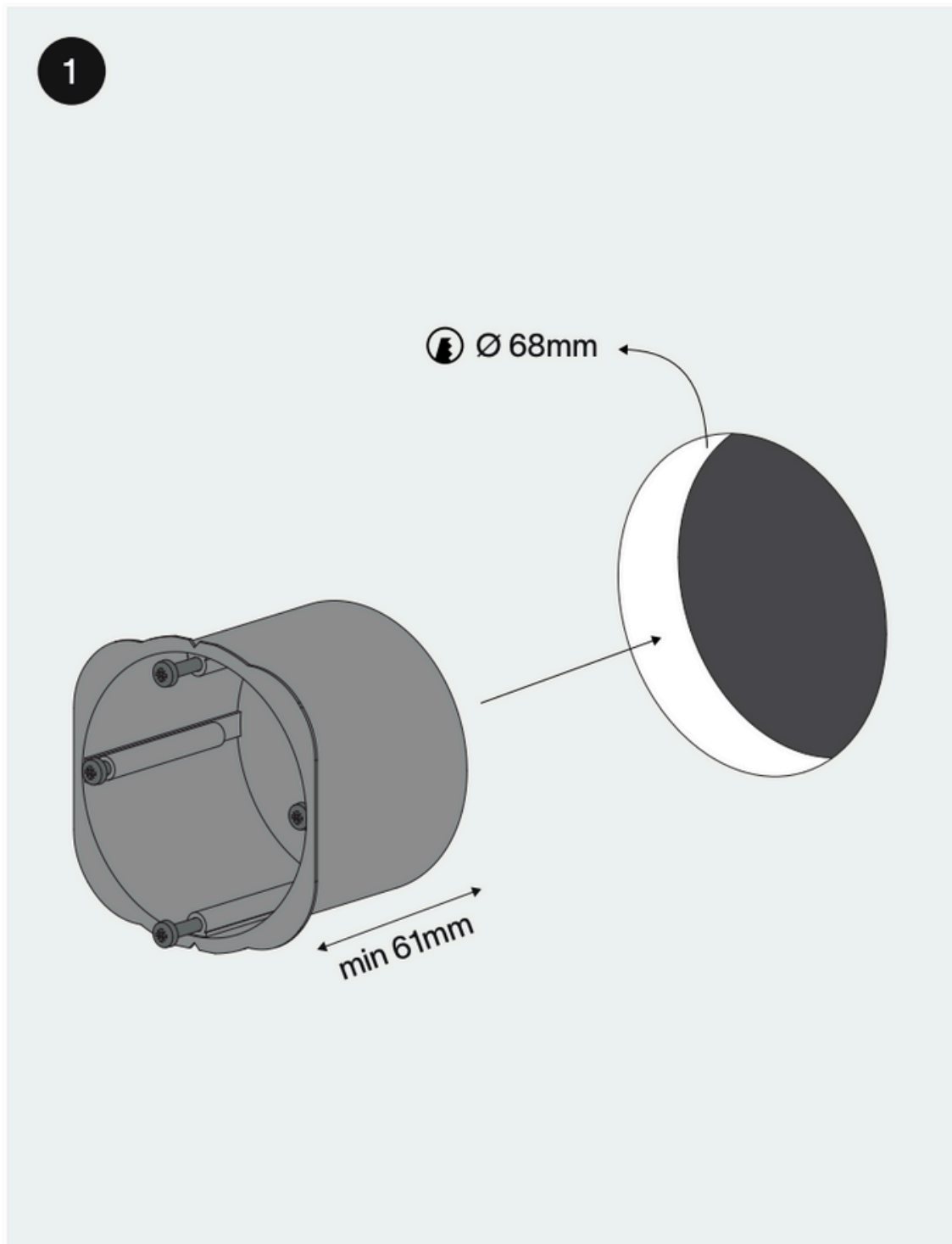


rond

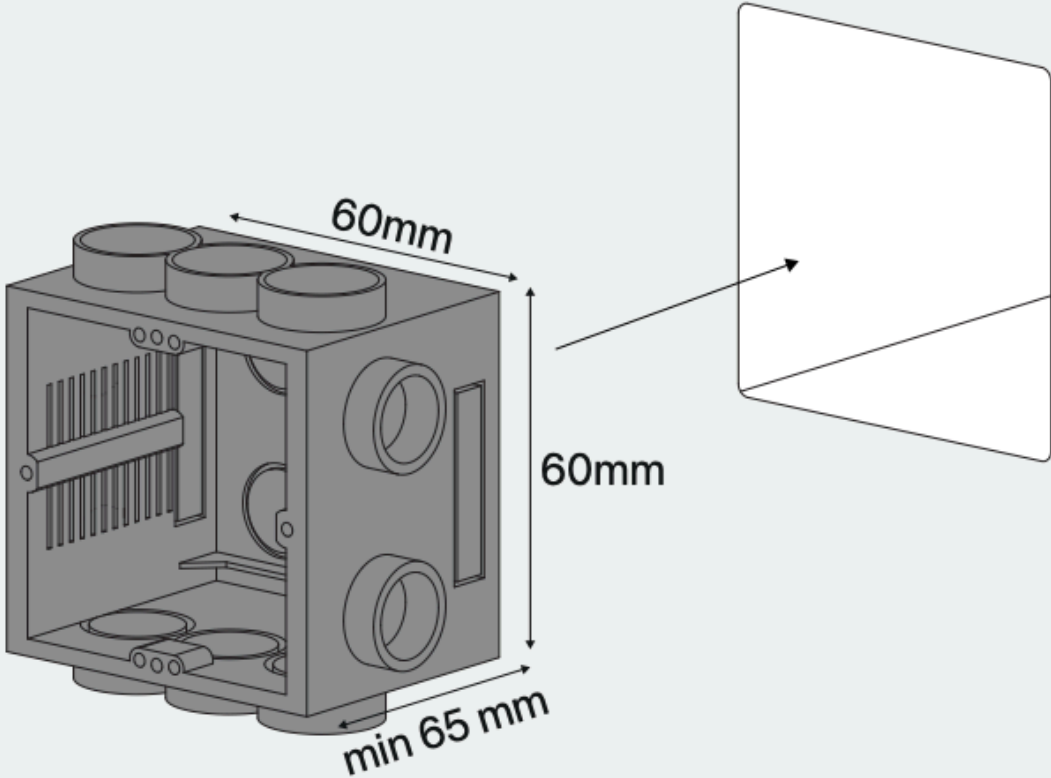
×



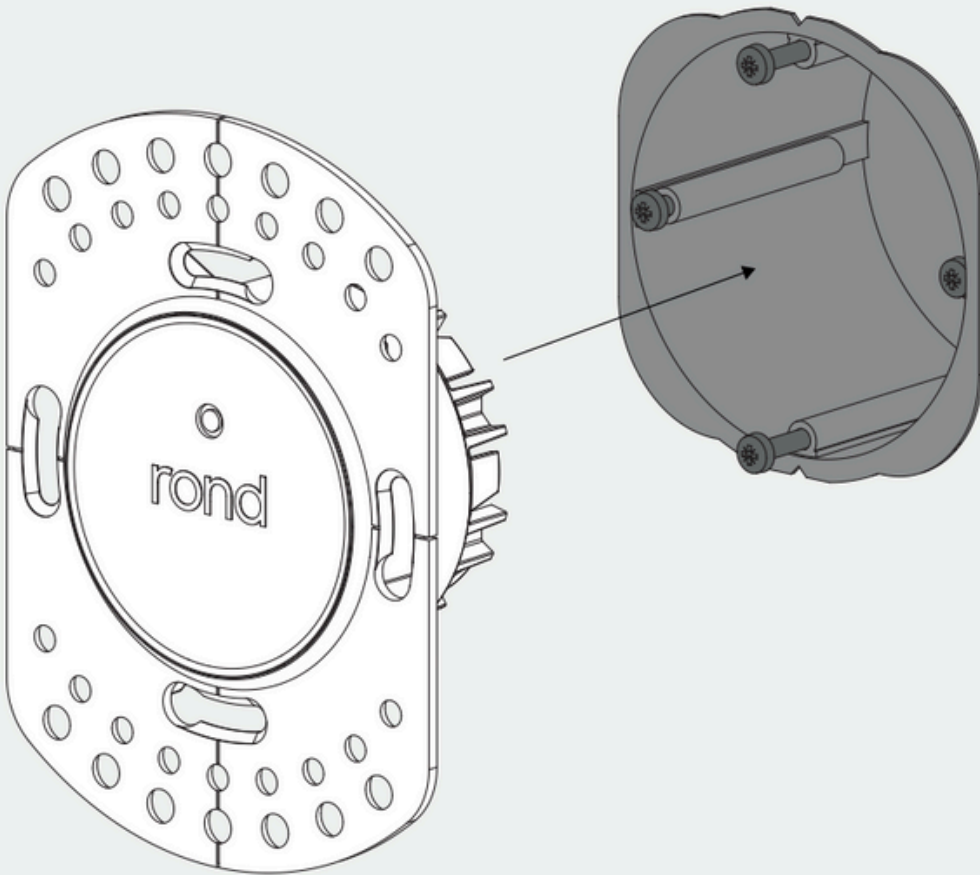
retrofit plaster ring installation instruction



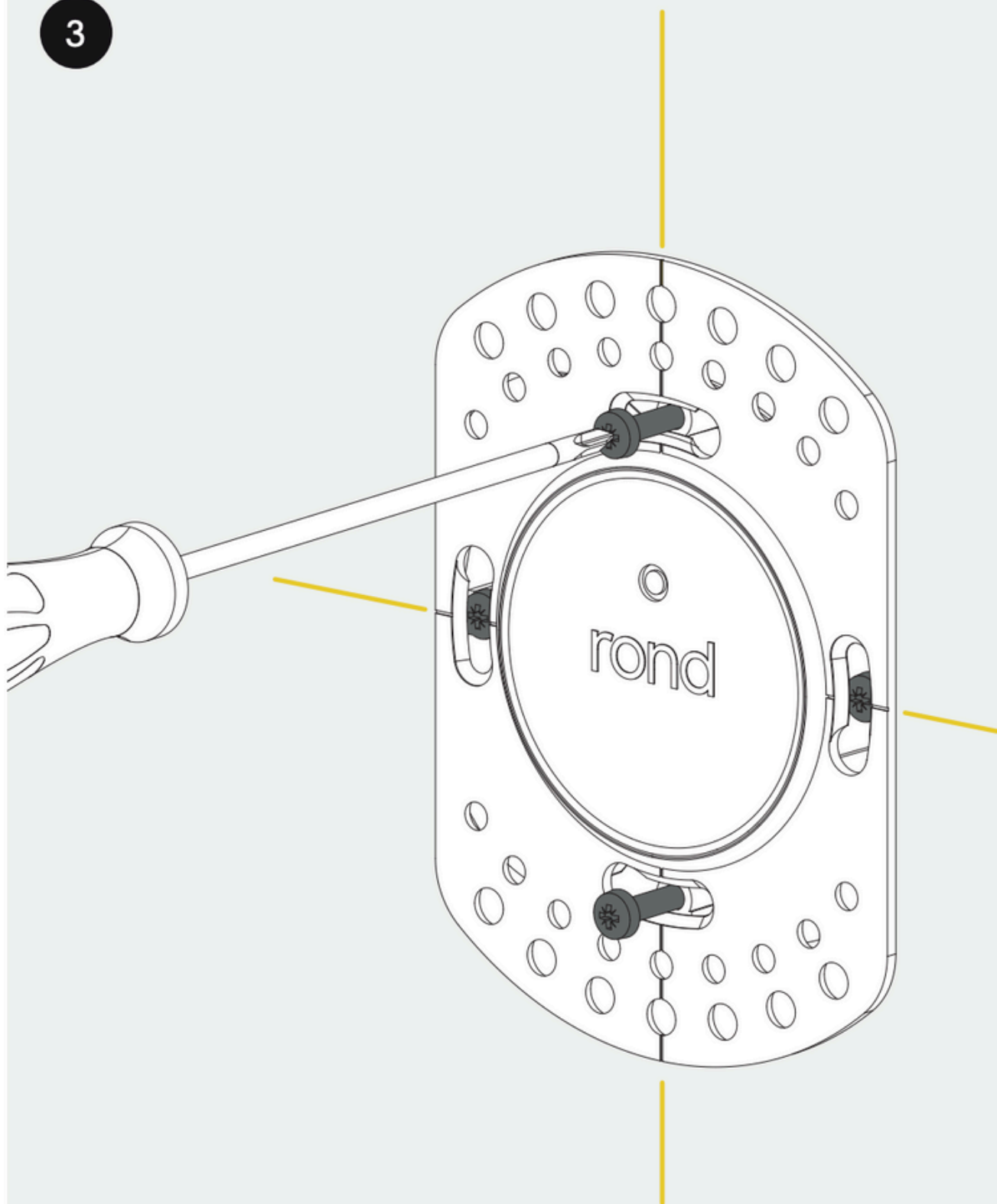
or



2

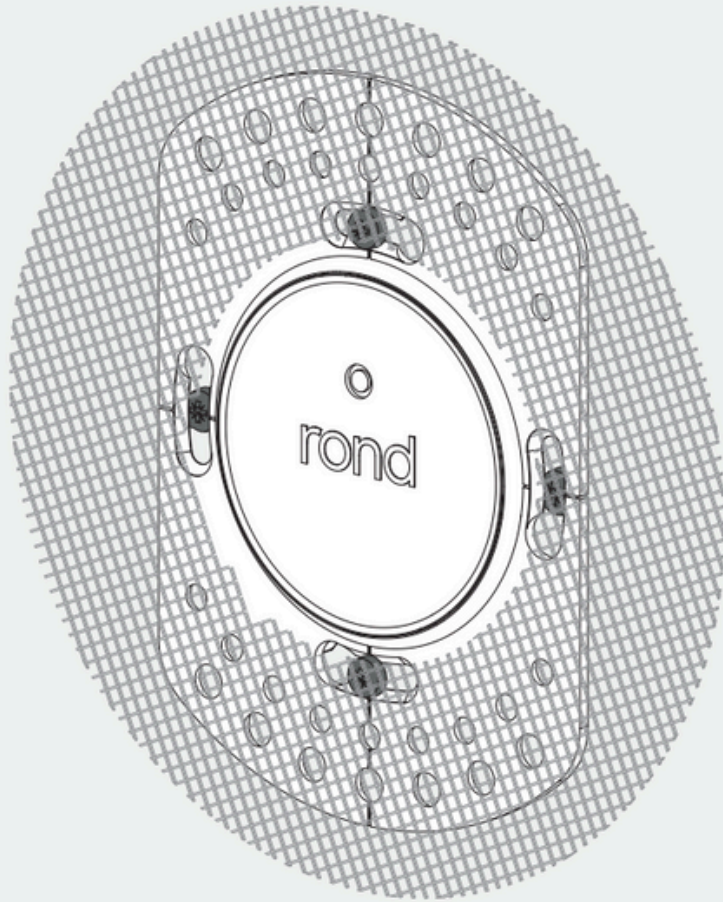


3

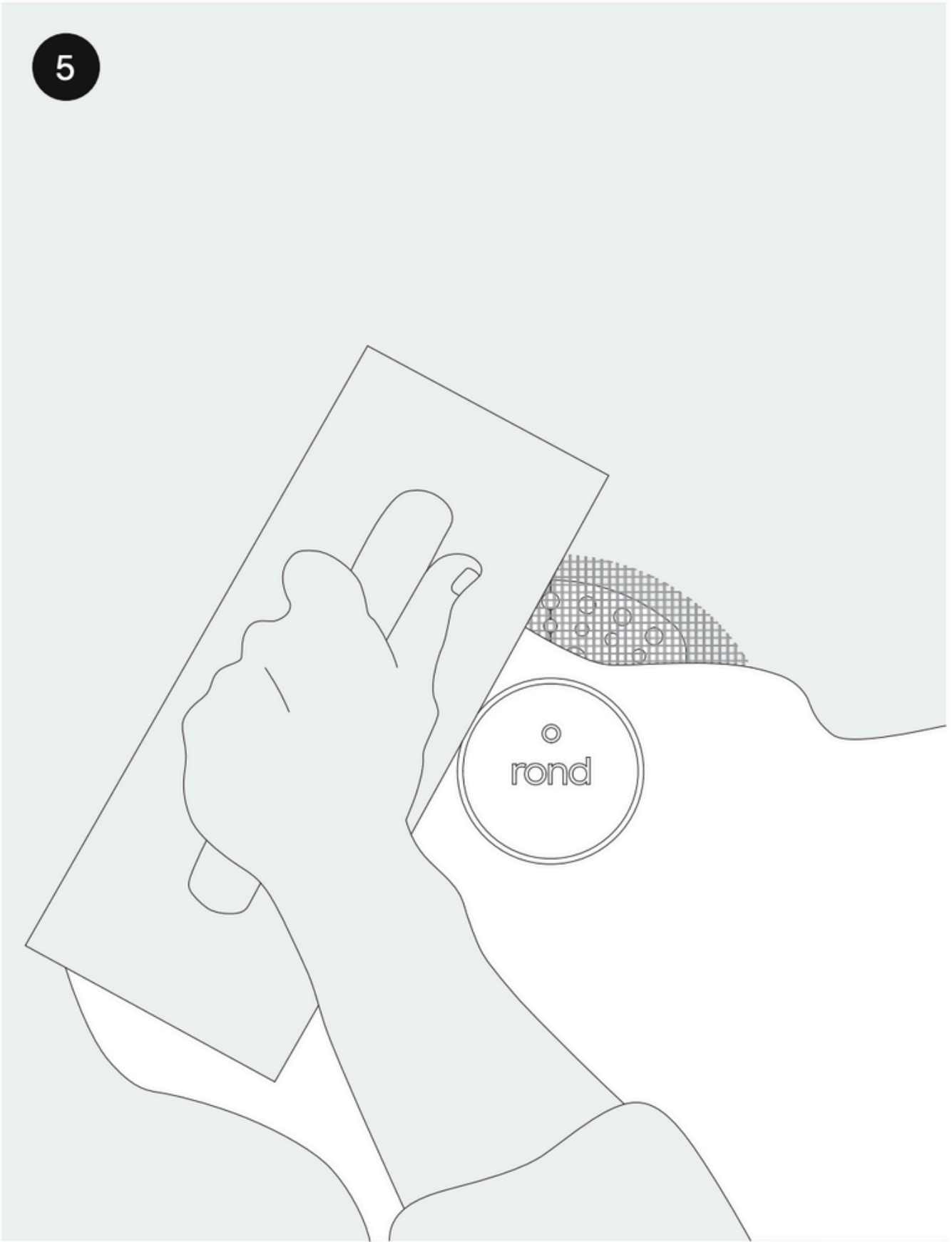


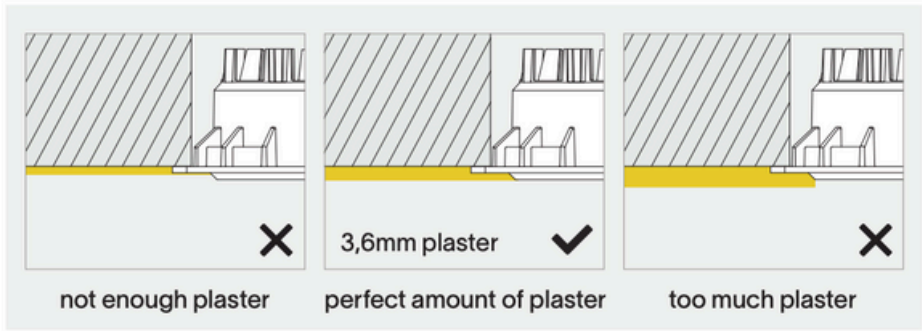
level kit, gently screw with appropriate stainless steel screws

4



5





thank you for choosing rond



Installation must be done by skilled professionals only and instructions must be followed at all times. Warranty will not apply in case of wrongful use of if unskilled personnel attempts to repair a product.