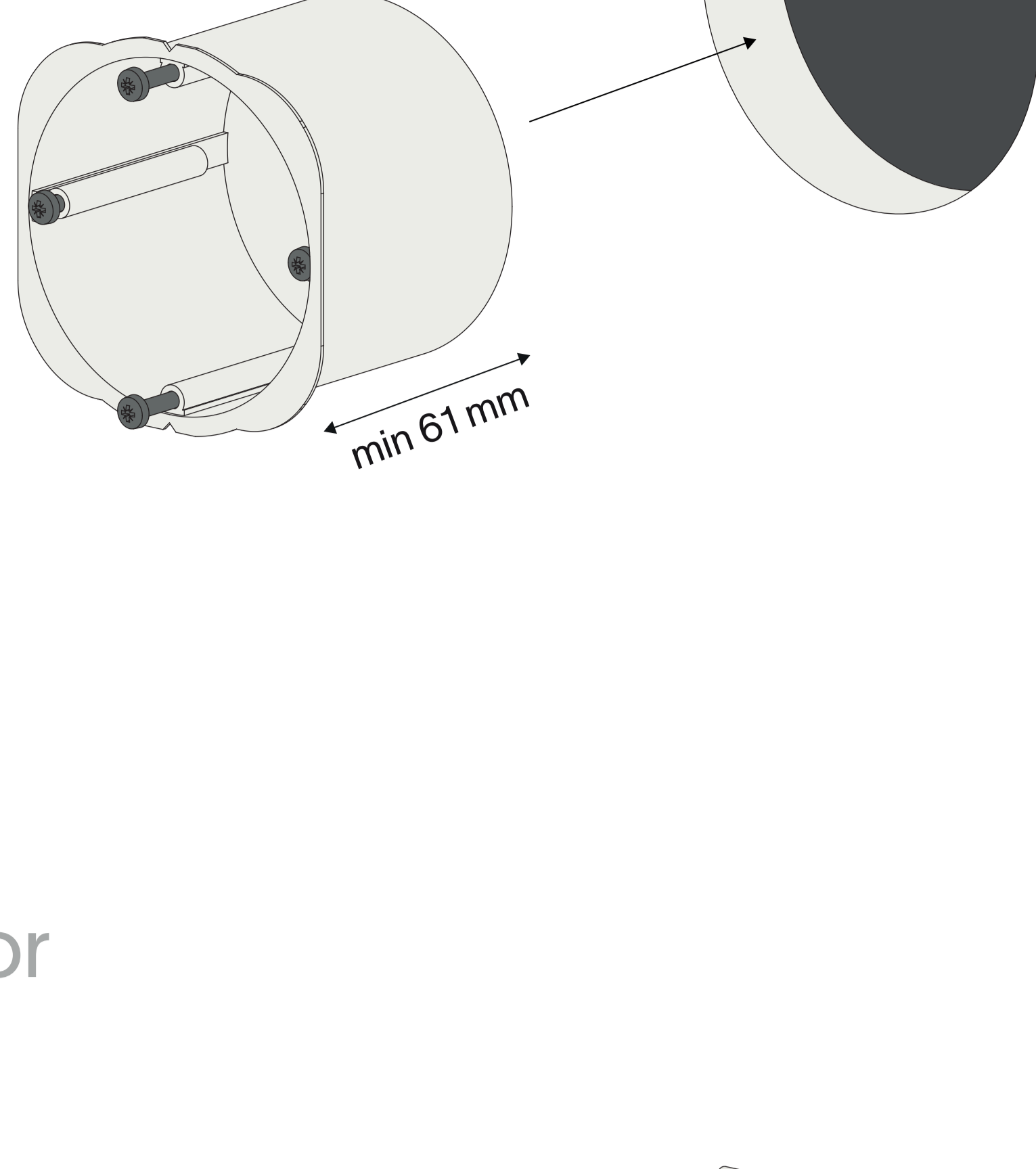
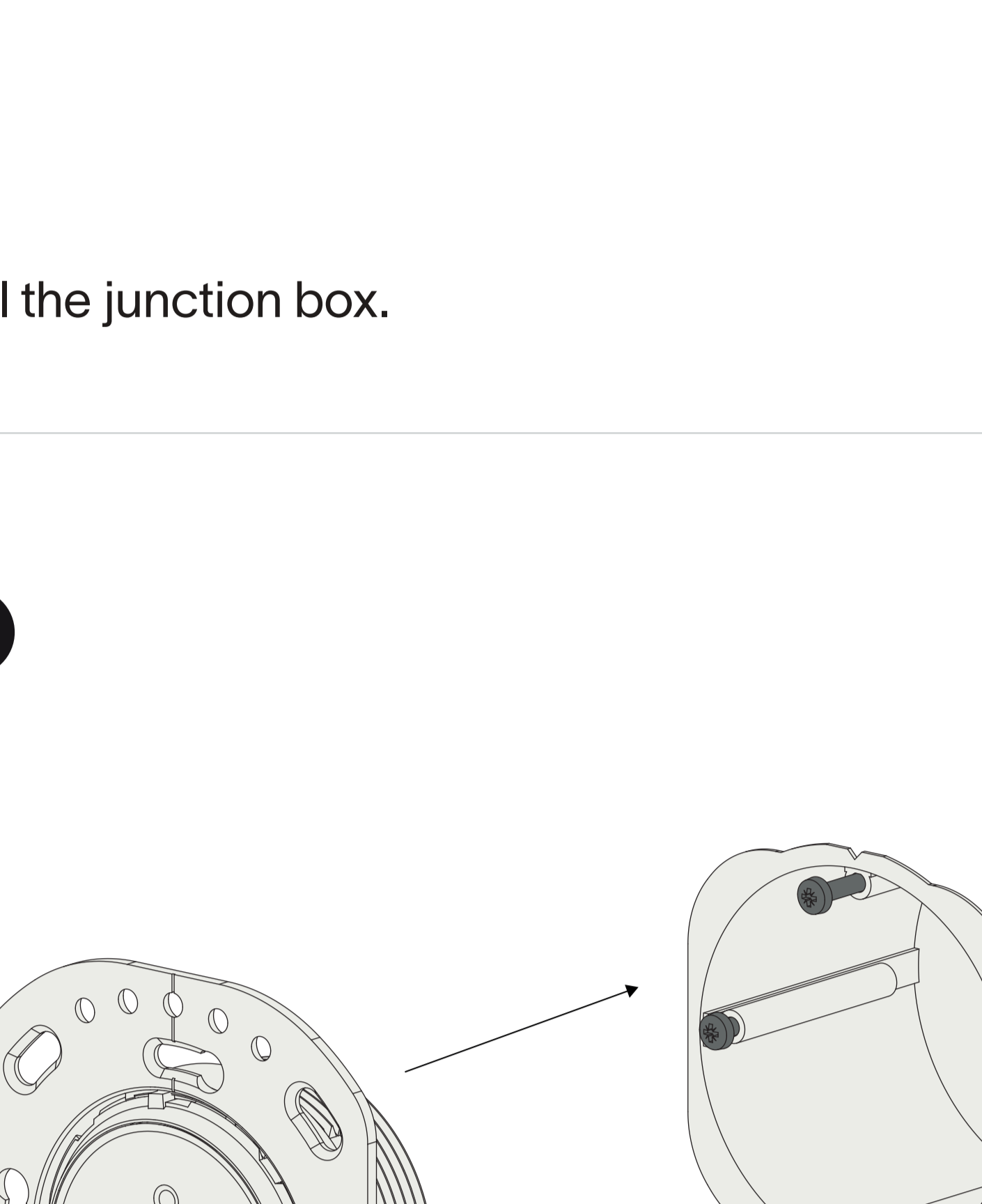


adjustable plaster ring (unifit type E/F) installation instruction

1

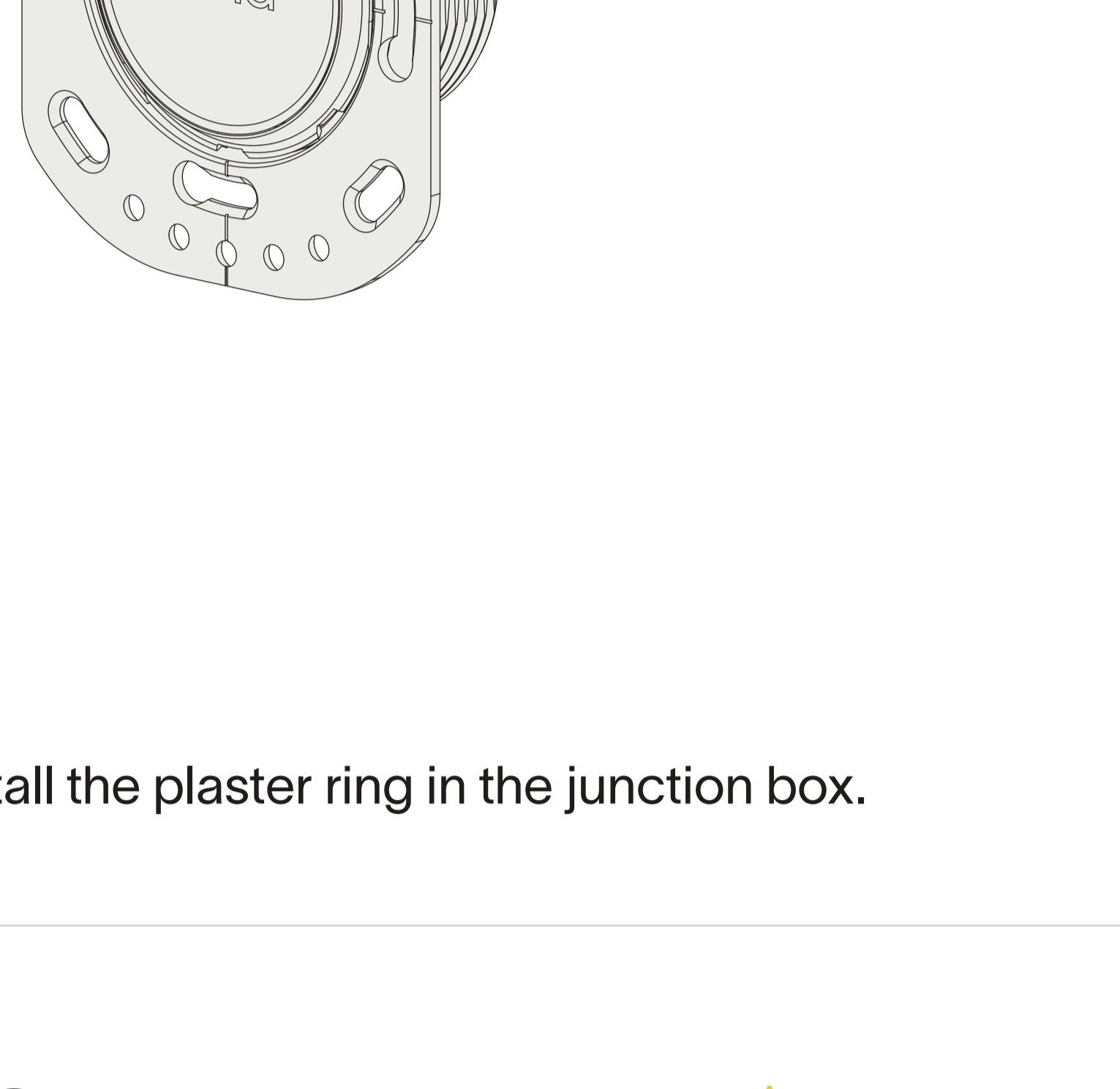


or



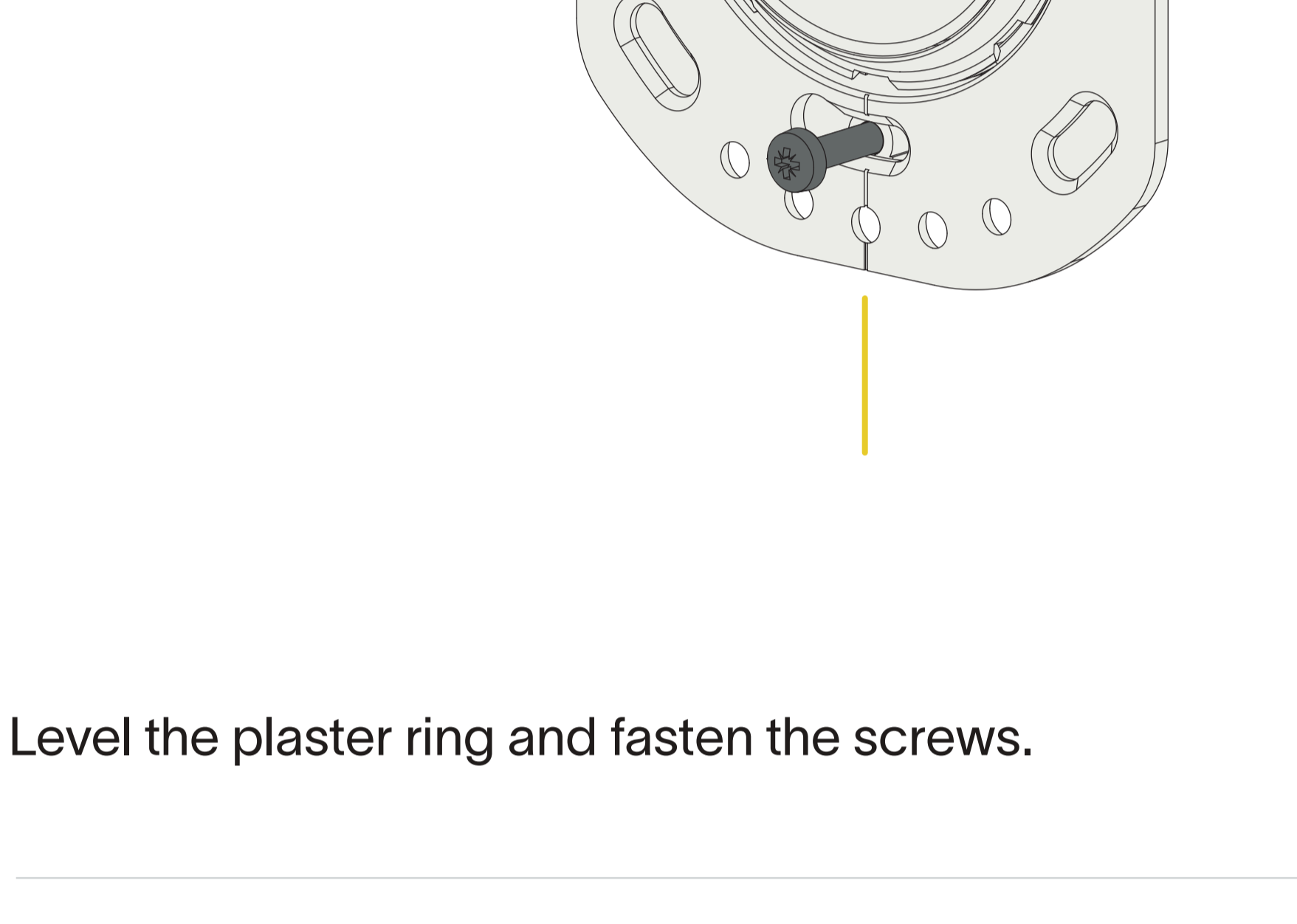
Install the junction box.

2



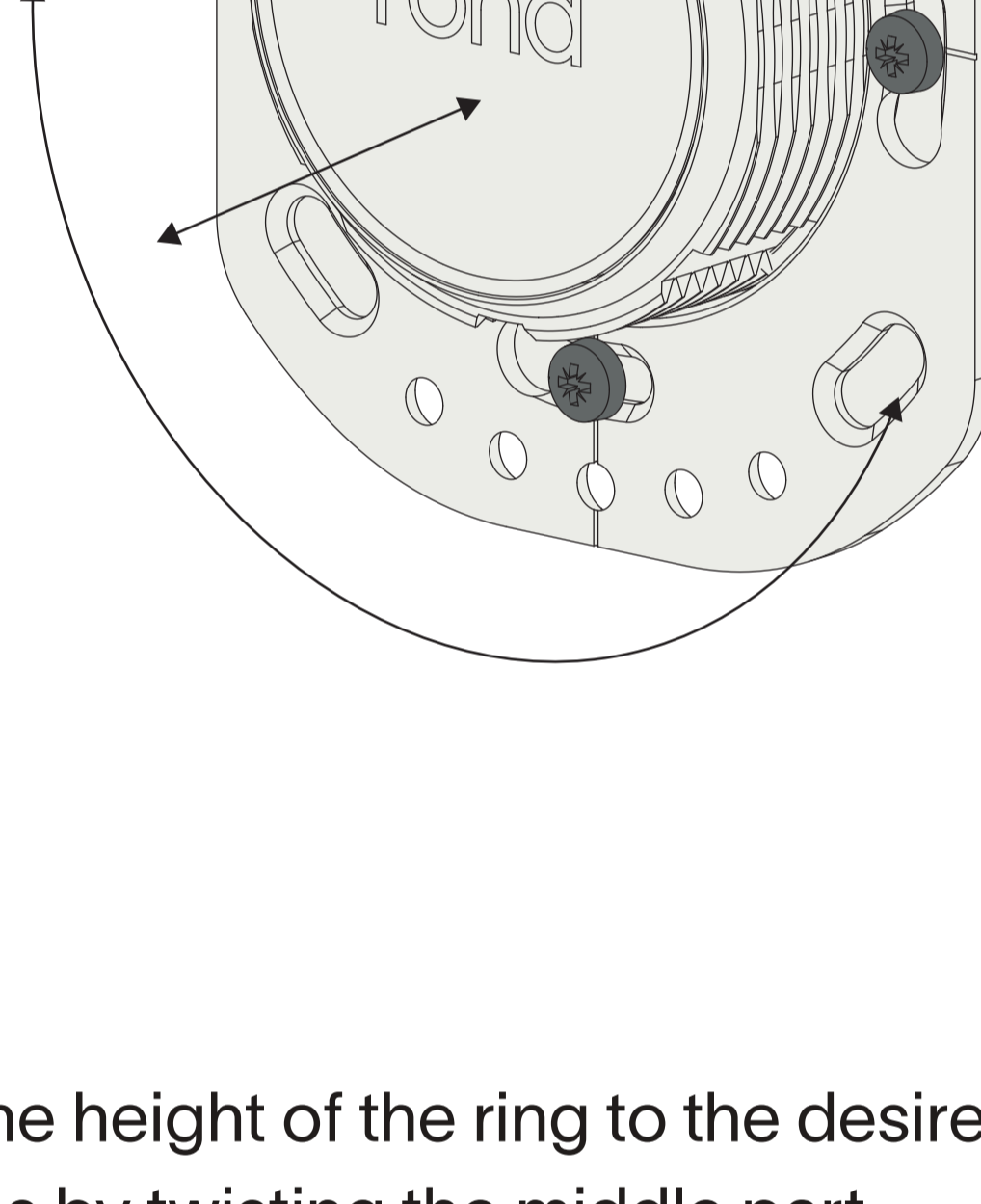
Install the plaster ring in the junction box.

3



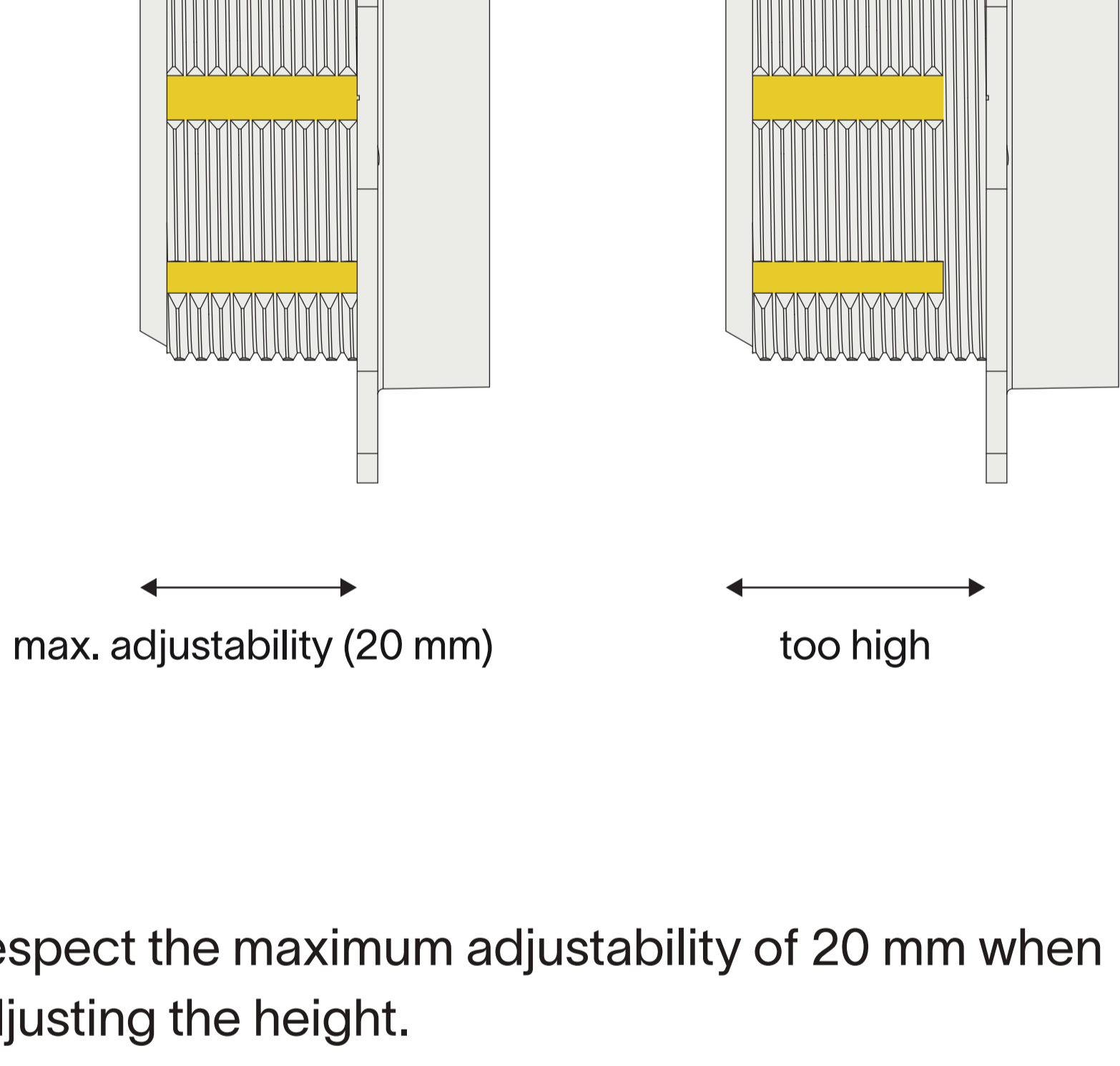
Level the plaster ring and fasten the screws.

4



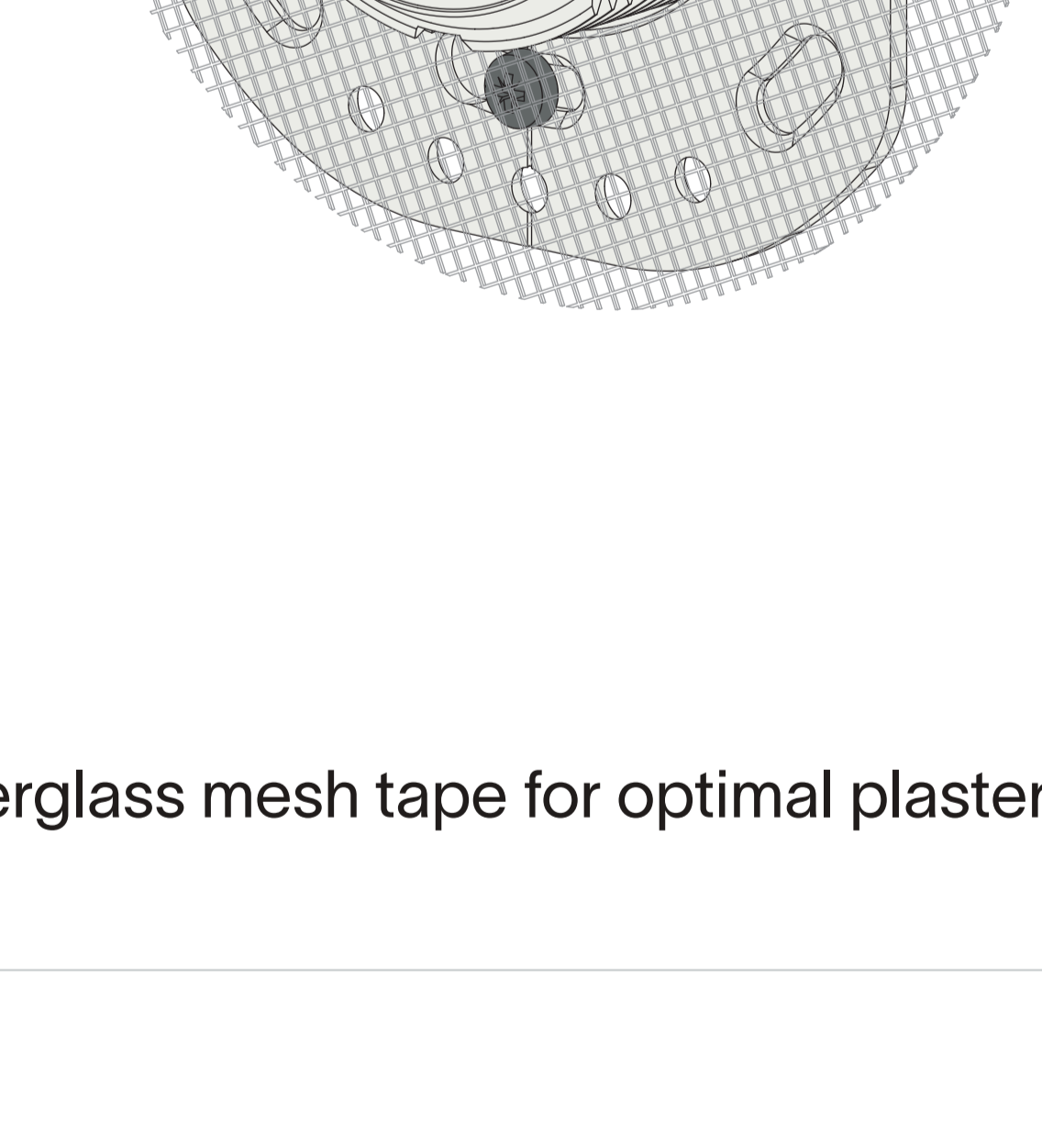
Adjust the height of the ring to the desired plaster thickness by twisting the middle part.

5



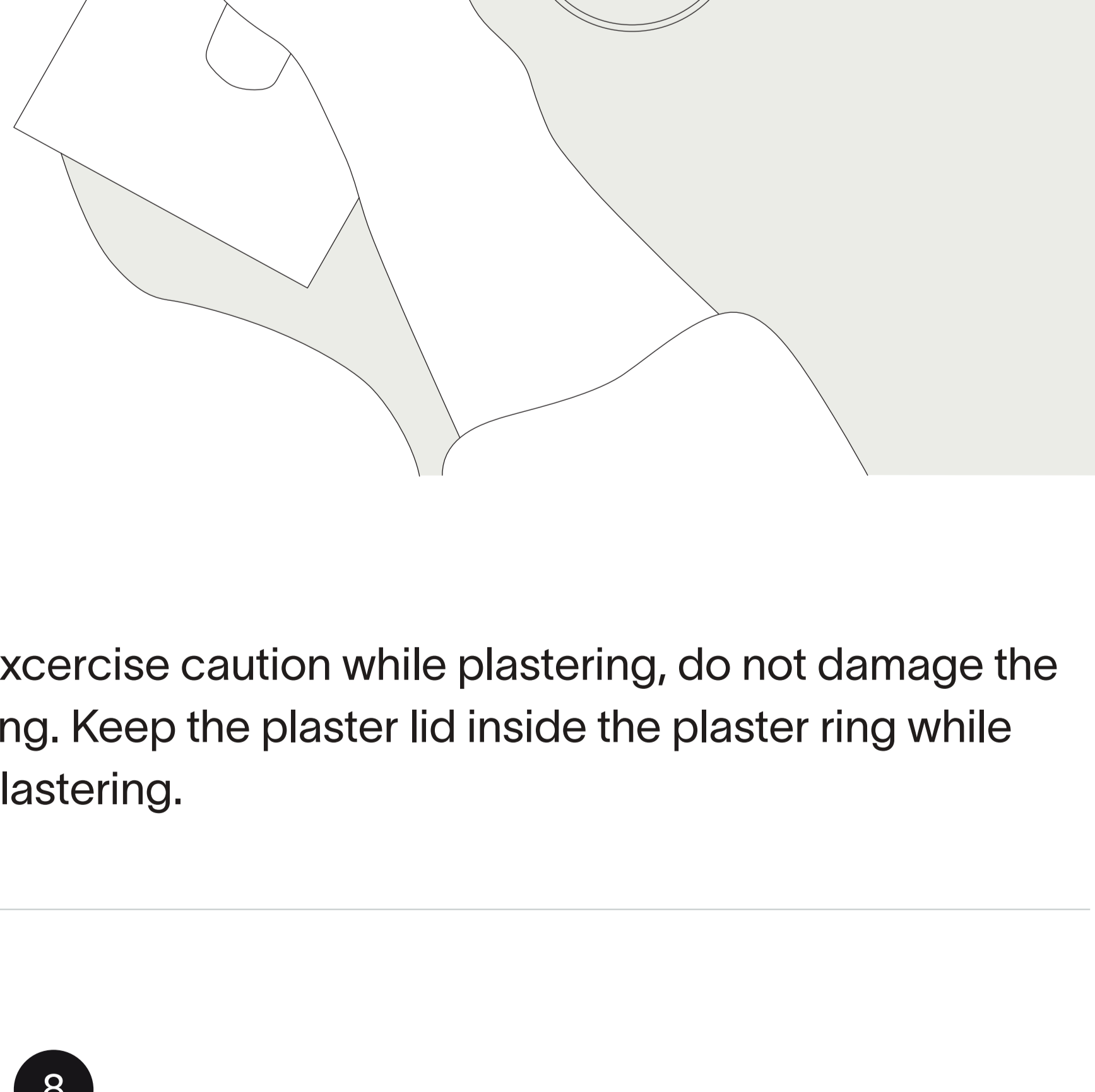
Respect the maximum adjustability of 20 mm when adjusting the height.

6



Use a fiberglass mesh tape for optimal plaster adhesion.

7



Exercise caution while plastering, do not damage the ring. Keep the plaster lid inside the plaster ring while plastering.

8



Make sure not to touch the edge of the ring when sanding.

Thank you for choosing rond.